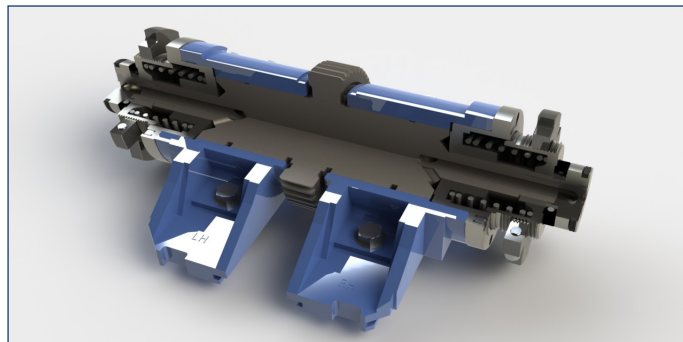


Neck Ring Mechanism

Recent developments to the Lattimer Neck Ring Mechanism have increased its accuracy and the closing speed of both cylinders.

Improvements in the piston and rod, cylinder head and spring enables the mechanism to perform consistently in an increasingly demanding environment.



The lower backlash and high build quality of the Lattimer mechanism delivers production consistency. The hardness, surface finish and accuracy of the fit between the shaft and the flights reduces wear, helping to significantly reduce container defects. During the assembly process each mechanism is tested on our dedicated test facility ensuring each falls within our demanding specification.

Lattimer Piston and Rods are heat treated several times during the manufacturing process and once all the machining and treatments are complete are ground on all surfaces, guaranteeing correct sizing, accuracy of fit with the flights and surface finish, critical for a controlled, smooth operation of the mechanism.

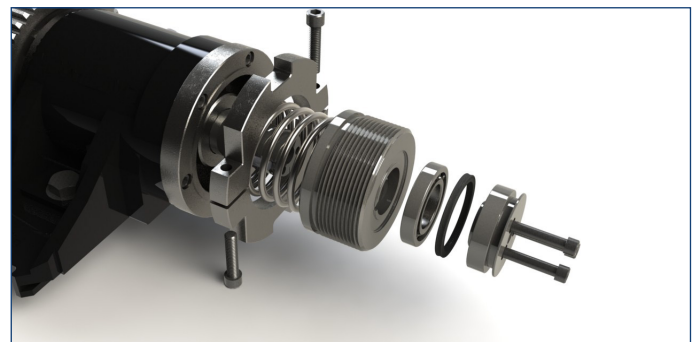
Part Numbers:

Standard Bearing: L14395301

OI Hybrid: L14395302

Using three cap-head screws in the end cap in place of the traditional taper pin allows for maintenance to be carried out in a much more efficient manner.

To reduce wear on the end caps and bushings during operation, a radial ball bearing is used instead of a plain bearing. This is a contributing factor to the recognised longer running life of the Lattimer Neckring Mechanism.



A quad seal is used on the end cap to reduce the loss of compressed air and lubrication during operation. It also provides a precise fit when assembled in the bush or directly into the section.

Benefits

- Interchangeable with existing mechanisms
- Extended service life
- Faster opening and closing speeds
- Enhanced repeatability
- Lower backlash
- Reduced maintenance downtime

Contact Lattimer for more information sales@lattimer.com



LATTIMER

CREATING A NEW VISION FOR GLASS ENGINEERING

Lattimer
79-83 Shakespeare Street
Southport, Merseyside
England PR8 5AP

Tel: +44 (0) 1704 535040
Fax: +44 (0) 1704 541046
Email: sales@lattimer.com
Web: www.lattimer.com

Lattimer
3603 North Mill Road
Vineland
New Jersey 08360, USA

Tel: +1 (856) 691 2203
Fax: +1 (856) 691 5509
Email: salesamericas@lattimer.com
Web: www.lattimer.com