

For many years Lattimer has been at the forefront of the design and manufacture of innovative machine parts and accessories for the glass container forming industry.

Lattimer offers a service matched only by the quality of its products. The company prides itself on providing the glass industry unrivalled support and has done for over 30 years.

Lattimer manufacture both industry standard machine parts and also bespoke parts to Customer specification. The company continually invests in the most modern manufacturing technology to develop new and innovative products that set new benchmarks within the glass container forming industry – keeping businesses running smoothly and enabling them to be one step ahead of the competition.



Leaders through innovation

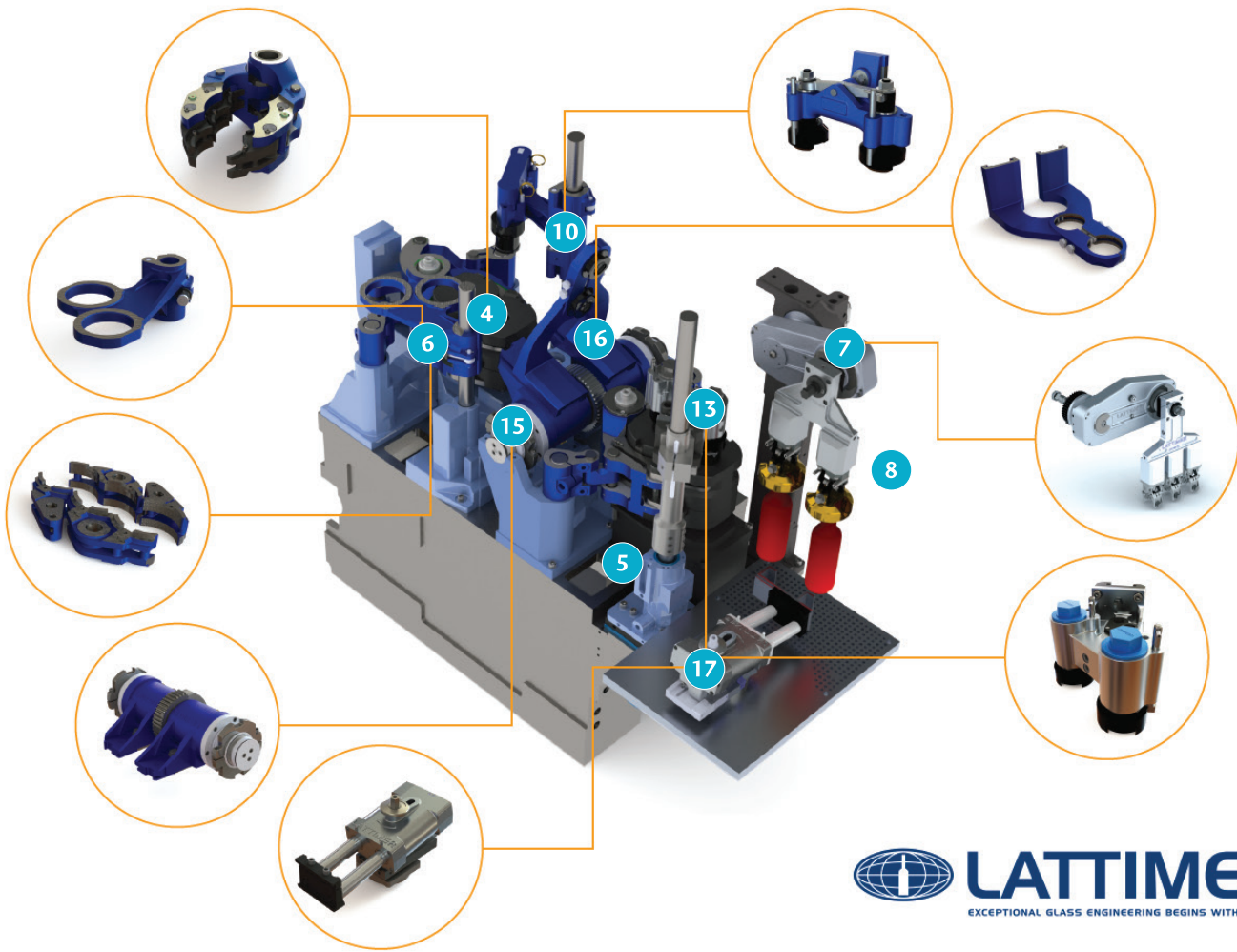
LATTIMER PRODUCT RANGE

Through its wealth of experience and close co-operation with customers, Lattimer understands the glass container forming industry. It also understands that different glass manufacturers have different needs. That's why Lattimer offers more than standard products

In today's container manufacturing industry reliability and efficiency are key to keeping a competitive edge. Using the latest CAD software the Lattimer design team continue to develop innovative products which enable customers world-wide to improve efficiencies, increase production yields and reduce ware defect rates.

Much of today's exciting product range have been developed in close co-operation with customers identifying problems and working together to find the right solution.





CONTENTS

- | | |
|---|---|
| <p>4 MOULD HOLDERS
(Blank Side)</p> <p>5 MOULD HOLDERS
(Blow Side)</p> <p>6 MOULD HOLDERS
(Inserts)</p> <p>7 TAKE OUT ARM</p> <p>8 TAKE OUT TONG HEAD
(Std)</p> <p>9 TAKE OUT TONG HEAD
(X-Y)</p> <p>10 BAFFLE ARM
(Conventional)</p> <p>11 BAFFLE ARM
(Quick Change)</p> | <p>12 BLOW HEAD
(Conventional)</p> <p>13 BLOW HEAD
(Quick Change)</p> <p>14 LOCKRINGS
(Baffle & Blowhead)</p> <p>15 NECKRING MECHANISM</p> <p>16 NECKRING ARM</p> <p>17 PUSHERS</p> <p>18 SPARE PARTS &
CHECK FIXTURES</p> <p>19 WEBSITE &
BESPOKE PRODUCTS</p> |
|---|---|

FINDING THE RIGHT PRODUCT FOR YOU

The following pages provide an insight into Lattimer's comprehensive product range.

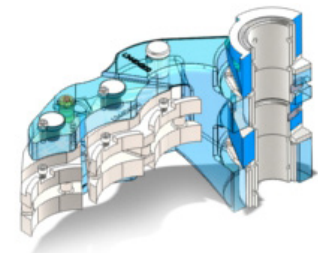
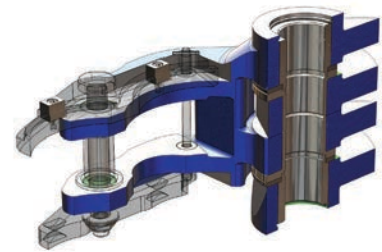
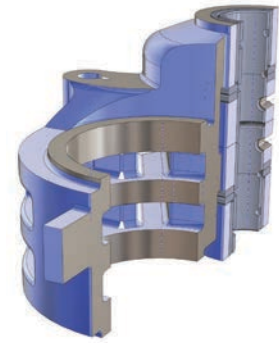
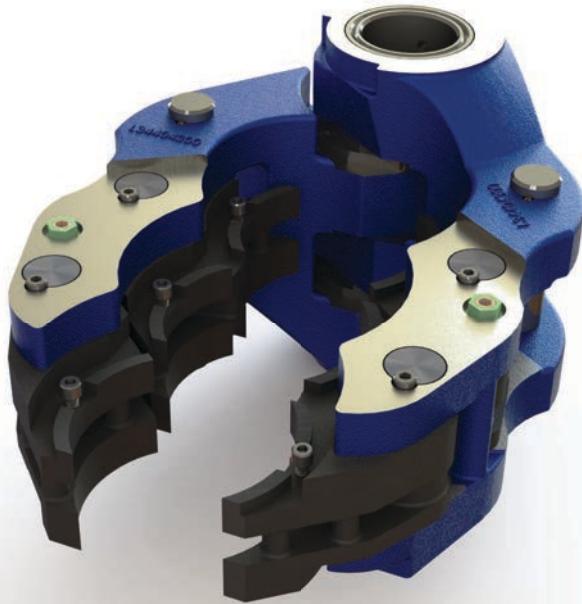
For more specific product detail or for information regarding bespoke products, please contact the Lattimer customer support team who will be happy to help with your enquiry on:

UK OFFICE:
sales@lattimer.com

US OFFICE:
salesamericas@lattimer.com

MOULD HOLDERS (BLANK SIDE)

A wide range of Mould Holders are available, from single to quad gob holders. Made from high quality ductile castings with hardened and ground steel bushings. It is only by using the highest quality standards that our customers can be sure their performance expectations are met.



Scissor link options are available.

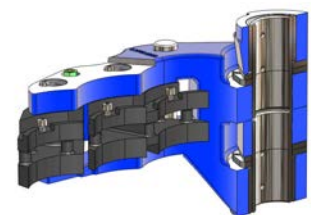
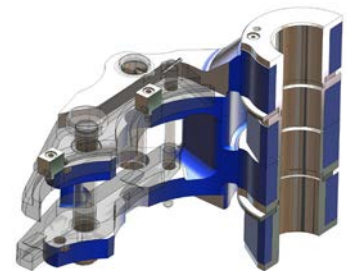
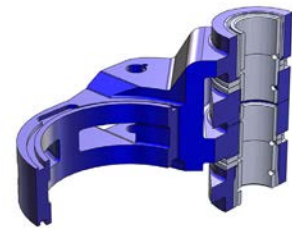
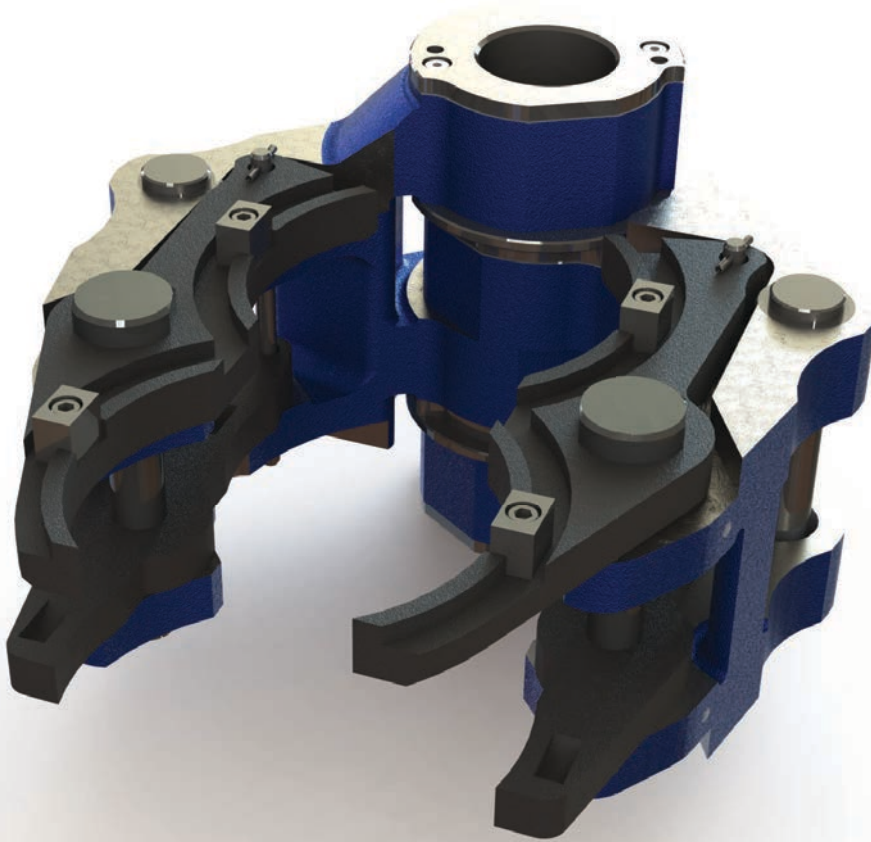
BENEFITS

- Precision components engineered from high quality materials.
- Special assemblies manufactured to suit your requirements.
- Set up's available to suit most machine configurations.

A comprehensive range of SG, DG, TG and QG assemblies are available.

		3"	85mm	4 1/4"	5"	5 1/2"	6"	6 1/4"
SG	Standard with Std. Linkage			•	•	•		•
	Offset with Std. Linkage			•	•	•		•
	Standard with Scissor Linkage				•			
	Offset with Scissor Linkage				•			
	SG. Insert on DG DD Holder			•				
	SG Insert on Special Holder			•		•		
DG	With Standard Linkage			•	•	•		•
	With Scissor Linkage				•		•	
	Vertiflow Holders			•	•	•		•
TG	With Standard Linkage	•	•	•				

Complete Mould Holder assembly can be supplied ready for installation, Holders, Mounting Parts and Inserts, one assembly to simplify the installation process.



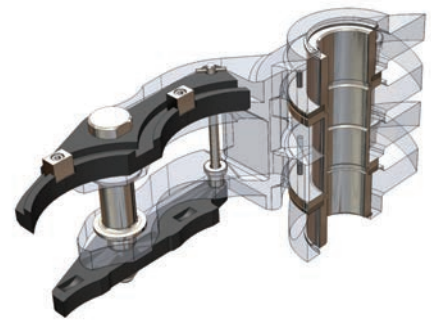
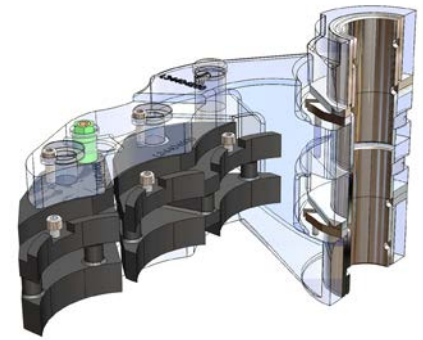
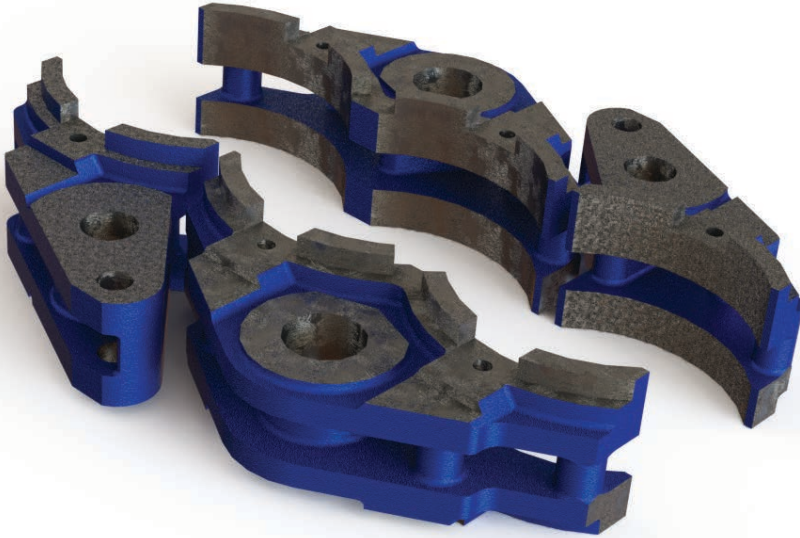
BENEFITS

- Hardened ground steel bushes for extended service life.
- High accuracy assemblies for consistent quality.
- Blank and Blow Moulder Holder set up sheets are available to specify your assembly requirements.

Special holders can be manufactured to suit your specific requirements.

		3"	85mm	4 1/4"	5"	5 1/2"	6"	6 1/4"
SG	Standard with Std. Linkage			•	•	•		•
	Offset with Std. Linkage			•	•	•		•
	SG Insert on DG DD Holder			•				
	SG Insert on Special Holder			•		•		
DG	With Standard Linkage			•	•	•	•	•
	Vertiflow Holders			•	•	•		•
TG	With Standard Linkage	•	•	•				

The exceptional quality and performance of this product is achieved by our attention to detail.



BENEFITS

- Wide range of Inserts are available, top and bottom, SG, DG, TG and QG.
- Manufactured from solid billet or casting to suit your requirements.
- Engineered to meet the highest customer specification and demands. High surface hardness with a tough substrate for durability.
- Can be supplied with localised hardness for added protection for difficult applications.

A comprehensive range of SG, DG, TG and QG assemblies are available.

		3"	85mm	4 1/4"	5"	5 1/2"	6"	6 1/4"
SG	With Special SG Holder			•		•		
	With DG DD Holder			•				
DG	Old Series Inserts			•	•	•	•	•
	New Series Inserts			•	•			•
	Vertiflow			•	•		•	
TG		•	•	•				

From the introduction of the first belt driven arm up to today's state of the art silent chain driven mechanisms, Lattimer has led the way. Proven to be reliable and dependable in some of the most challenging environments.



BENEFITS

- Low Maintenance and high reliability enabling an increase machine utilisation and a reduction in running costs.
- Simple, positive and easily accessible belt tensioning through an eccentric cam adjustment method.
- CHAIN DRIVEN Option available for challenging environments.
- Full Spare Kits are available to maintain both types of Belt and Chain Take-out arms.
- Available for SERVO DRIVEN applications.

Simple eccentric cam tensioning.

Engineered to provide excellent repeatability and positional.

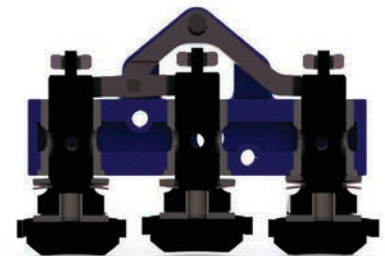
		SG	DG	TG	QG
L14184602	4 1/4	•	•		
L14194002	5	•	•		
L14184102	5 1/2 - 6 1/4		•		
	4 1/4			•	
L14191801	6	•	•		
L14340500 (O/S SHAFT)	4 1/4			•	
	8 1/2			•	
	5 1/2		•		
L14316502	6 1/4		•		
	10			•	•



Designed with optimised airflow, the Baffle Holder assembly allows for a reduction in finish set time through the improved equalisation of cavity air pressure.



Strong locking design.



Precision engineered components providing durability and reliability for minimum downtime.

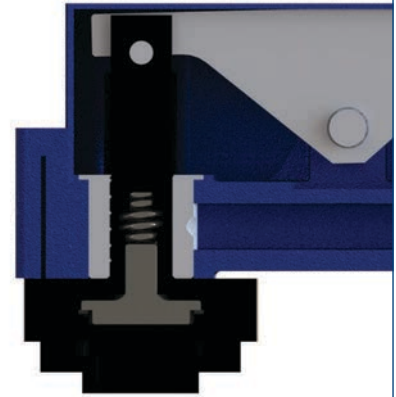
BENEFITS

- Equalisation of settle blow pressure across all individual cavities.
- Improved service life of locking.
- Smooth baffle operation.
- Common locking design for all cavities.
- Direct interchange with standard equipment.
- Available in DG & TG.

	3"	3 5/16"	3 1/2"	85mm	4 1/4"	5"	6 1/4"
DG					•	•	•
TG	•	•	•	•	•		

BAFFLE ARM (CONVENTIONAL)

Traditional cast iron Baffle Arm assemblies with or without hinged back quick change arrangement.



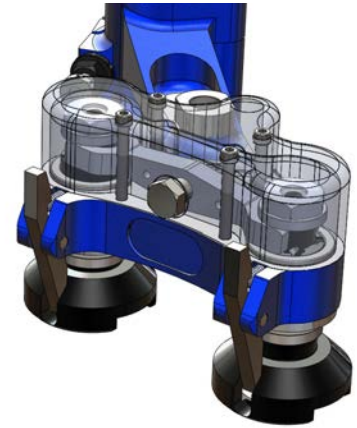
BENEFITS

- Hinged back for quick change.
- Interchangeable with original equipment.
- Spring loaded pressure plate to reduce wear on blank baffles.
- Strong durable construction.

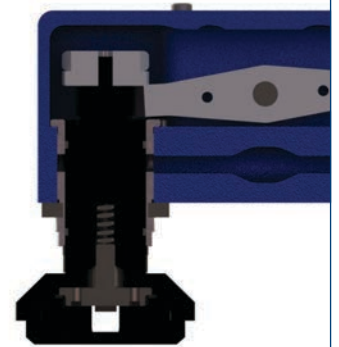
Strong baffle arm assemblies with the option of the traditional 'hinged back' or 'fixed' clamping designs.

		3"	4 1/4"	5"	5 1/2"	6"	6 1/4"
SG	Standard		•	•			
	Hinged back		•	•	•		•
DG	Standard		•	•	•	•	
	Hinged back		•	•	•		•
TG	Standard		•				
	Hinged back	•	•				

Traditional Blowhead arm assemblies, with or without Hinged back quick change arrangement.



Precision engineered components providing durability and reliability for minimum downtime.



Conversion kits to utilise the new quick change units are available (page 13).

BENEFITS

- Hinged back for quick change.
- Interchangeable with original equipment.
- Spring loaded pressure plate.
- Strong durable construction.
- Independent air supply for final blow and finish cooling.

		3"	4 1/4"	5"	5 1/2"	6"	6 1/4"
SG	Standard		•	•	•		•
	Hinged back		•	•	•		•
DG	Standard		•	•	•	•	•
	Hinged back		•	•	•		•
TG	Standard		•				
	Hinged back	•	•				

A robust light Quick Change Blowhead assembly.



BENEFITS

- Improved Service life.
- Positive and secure clamping.
- Eliminate casting failure and torn threads.
- Lock rings with and without pressure plates.
- Conversion kits for older IS machines are available.
- Replaceable steel air connector insert.

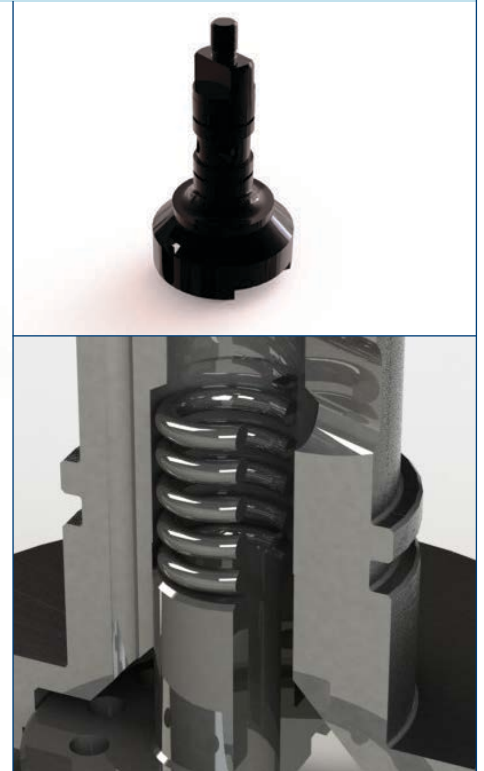
A robust, lightweight blow head assembly manufactured from high quality aluminium billet for strength and accuracy.

It is equipped with a steel quick change adaptor to provide secure clamping and eliminate problematic casting failure.

	3"	3 5/16"	85mm	4 1/4"	5"	5 1/2"	6"	6 1/4"
SG				•	•	•		
DG				•	•	•	•	•
TG	•	•	•	•				

LOCKRING BAFFLE

The use of a “dog-bone” style equaliser arm location results in a stronger shaft which eliminates failure due to fatigue around the locking tenon, additionally the heel of the equaliser arm is contoured for smooth operation and prolonged service life. A single common locking design is used for all cavities reducing inventory.



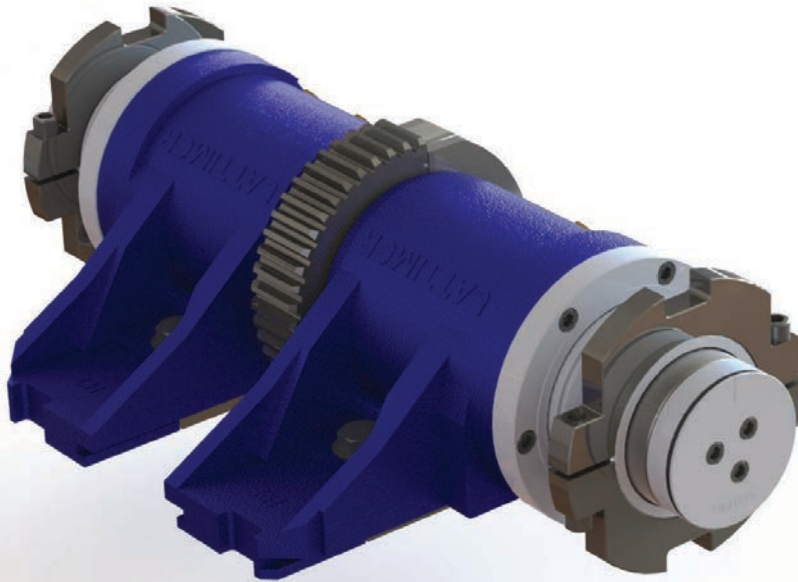
LOCKRING BLOWHEAD

NEW Pressure Plate now available for all lockrings.

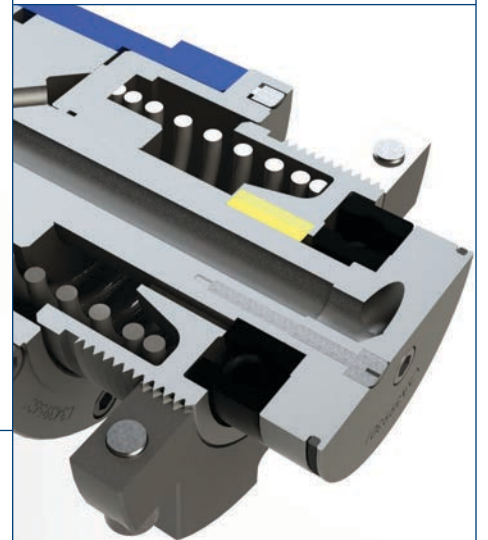
Lockrings with or without pressure plates are available, as is the option for finish cooling. Our new ‘long stemmed’ Lockrings are interchangeable with standard Blowhead designs.



One of the key component mechanisms on the I.S. section requires accuracy, repeatability and consistency time after time. The latest Lattimer Neckring Mechanism has the hindsight of several significant advantages for simplified maintenance and improved productivity.



Improved performance and, reduced maintenance.



Quality is in the detail.

BENEFITS

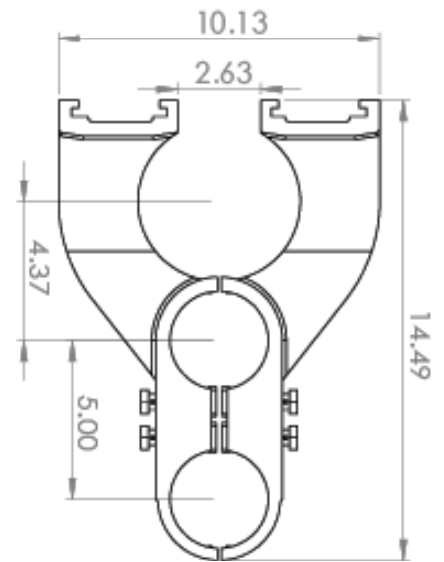
- Interchangeable with existing mechanisms and simple installation.
- A radial ball bearing is used to ensure smooth rotation and a simplified maintenance routine.
- A shaft end seal reduces air leakage and improves operational efficiency.
- Extremely low back-lash in the mechanism provides consistency to help improve ware quality and reduce defects.
- A fully hardened and ground shaft with superior wear resistance qualities extends the service life and maintains accuracy throughout its life.
- Cap-head bolt end fixing eliminates the traditional taper pin method and thus simplifies maintenance.

	BEARING	QUICK CHANGE
L14395311		•
L14395301	•	

Each Neckring Mechanism is available with either:
Split Gear, Twin Port or Twin Air

NECKRING ARMS

We offer a complete range of Single, Double and Triple Gob Neck Ring Arms which are interchangeable with the machine manufacturers original equipment. They are manufactured from high quality S.G.Iron castings and several styles are available in steel castings on request. As with all Lattimer products, we offer a design and manufacturing facility for customer specials.



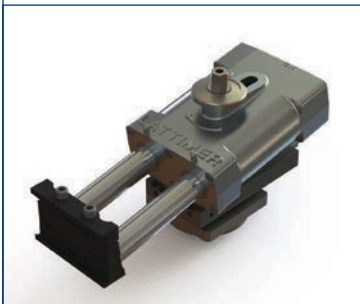
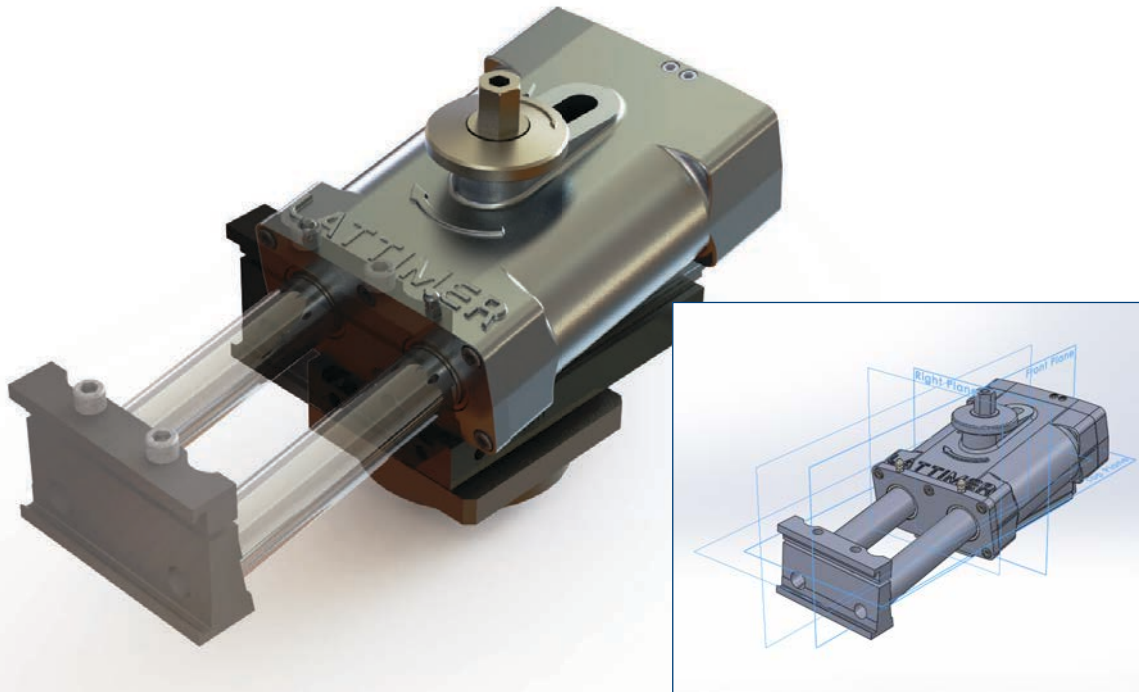
Only high grade materials are used for Lattimer Neck Ring Arms.

BENEFITS

- Strong and durable material & construction.
- Precise components engineered from high quality materials.
- Quick Change fixing available.
- Wide range of Neck Ring Arms available.

		3"	85mm	4 1/4"	5"	5 1/2"	6"	6 1/4"
SG	Standard	•	•	•	•	•	•	•
	Offset	•	•	•	•	•	•	•
	Standard Q.C.			•	•	•		
	Offset Q.C.			•	•	•		
DG	Standard			•	•	•	•	•
	Offset			•	•	•	•	•
	Standard Q.C.				•	•		•
	Offset Q.C.				•	•		•
TG	Standard	•	•					
	Offset	•		•				•
	Standard Q.C.	•						•

Lattimer Pushers are World renowned as being reliable, simple to maintain and efficient in their performance. Thousands of units have been sold over several decades up to the present day and as the demand on productivity and quality continues to increase, Lattimer has again pushed the boundaries of product innovation to maintain its position at the forefront of manufacturing technology.



PM3000 Lightweight pusher

- A 40% reduction in weight giving extended servomotor life, energy saving and ease of handling.
- Inclined body to give both improved clearance and improved ware handling.
- Replaceable wear parts giving low maintenance and extended life with the benefit of a reduction in cost.
- Smooth performance achieved by the combination of self-alignment characteristic's and full 360° air sealing.
- Simple concentric adjustment mechanism to perform faster setup.
- Fully compatible with existing Lattimer fixed stroke sole plate.



FX2000 Fixed stroke pusher with adjustable body

- Proven reliable design, the industry standard.
- High rigidity cast iron body construction.
- Compatible with all existing Lattimer fixed stroke pusher sole plate's.
- Improved clearance from the inclined body creating improved ware handling.
- Ease of adjustment through a pinion mechanism.
- Fast retract speed due to quick exhaust valve.



PM2000 Adjustable stroke pusher

- PM2000 comes in 4" and 5" models for large stroke adjustment.
- Both models are suitable for I.S machines from single to quad gob.
- Twin cylinder eliminates the need for guide rods and bushes and provide smooth action over a longer working life.
- Bespoke sole plates available upon request.
- Lift finger attachment available to provide increased finger clearance for large containers on return to the dead plate.

SPARE PARTS

Spare parts are available for the range of Lattimer products helping to extend the service life and reduce unnecessary cost. A wide selection of “other” spare parts are available, all we need is a part number and we can cross reference to identify if an equivalent Lattimer part is available.

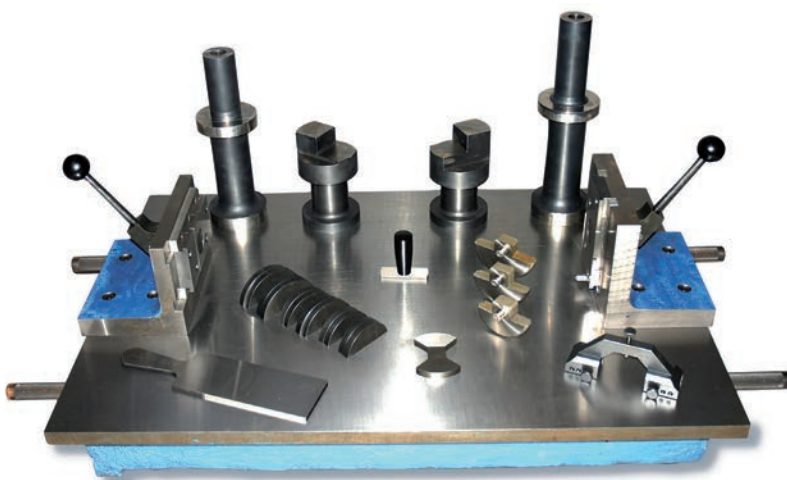


Lattimer quality and improvements can normally provide spare parts with a service life beyond the standard equipment norm.



CHECKING FIXTURES

Eliminate defects, improve and maintain your productivity by ensuring Mould and Neckring equipment is checked at regular intervals. Very cost effective.



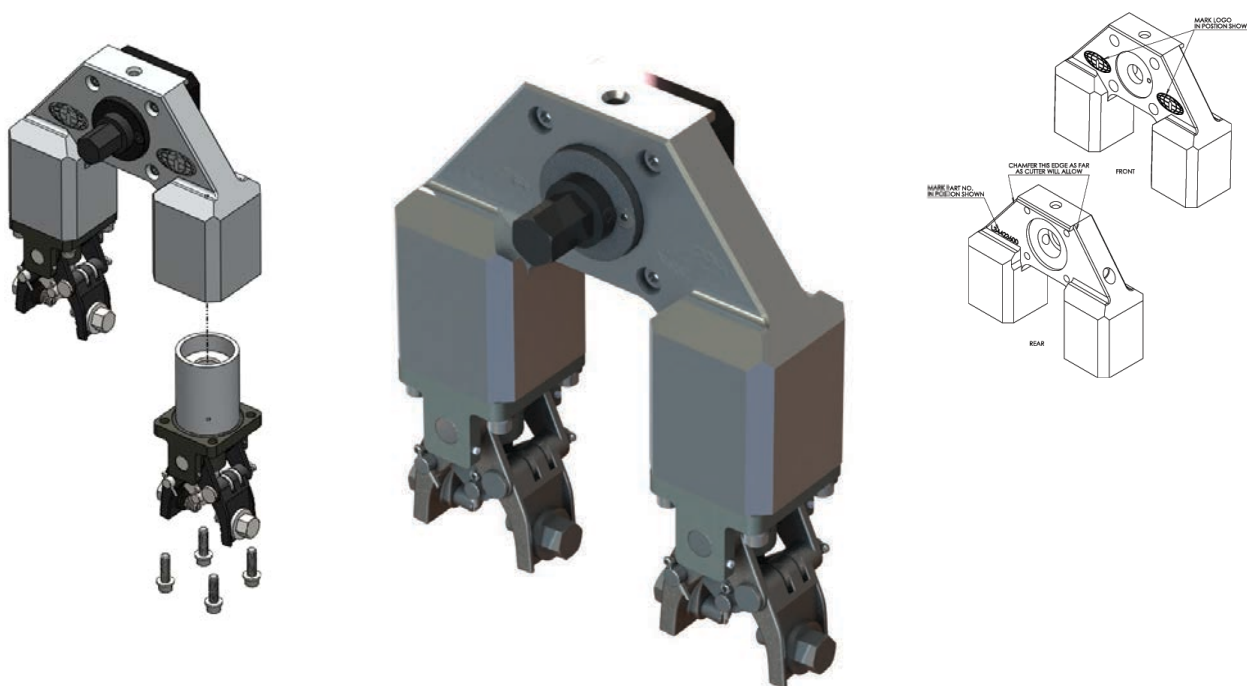
Mould Holders & Inserts

- Early identification of Mould Holder and insert problems.
- Eliminate defects such as heavy seams or crossed joints.
- Check insert wear, bore diameter, misalignment and Mould Arm heights etc.

Neckring Arm checking fixture

- Check for bore wear, the groove width, distortion, foot flatness and centre error.
- Simple to use, very cost effective.

At Lattimer, our experienced and highly committed service and design team can ensure products can be supplied wherever and whenever they are needed, to an exact specification. We can modify and design products to a customers need.



Get online with Lattimer

ALL THE INFORMATION AT YOUR FINGERTIPS

You can access Lattimer's full range of products and services via our comprehensive website.

Access our wealth of experience and understanding of the glass container manufacturing industry and catch up with all the marketplace developments through our interactive news facility.

You can also download our latest product brochures and technical bulletins, all at the click of a button.

www.lattimer.com





LATTIMER
CREATING A NEW VISION FOR GLASS ENGINEERING

Lattimer
79-83 Shakespeare Street
Southport, Merseyside
England PR8 5AP

Tel: +44 (0) 1704 535040
Fax: +44 (0) 1704 541046
Email: sales@lattimer.com
Web: www.lattimer.com

Lattimer
3603 North Mill Road
Vineland
New Jersey 08360, USA

Tel: +1 (856) 691 2203
Fax: +1 (856) 691 5509
Email: salesamericas@lattimer.com
Web: www.lattimer.com