





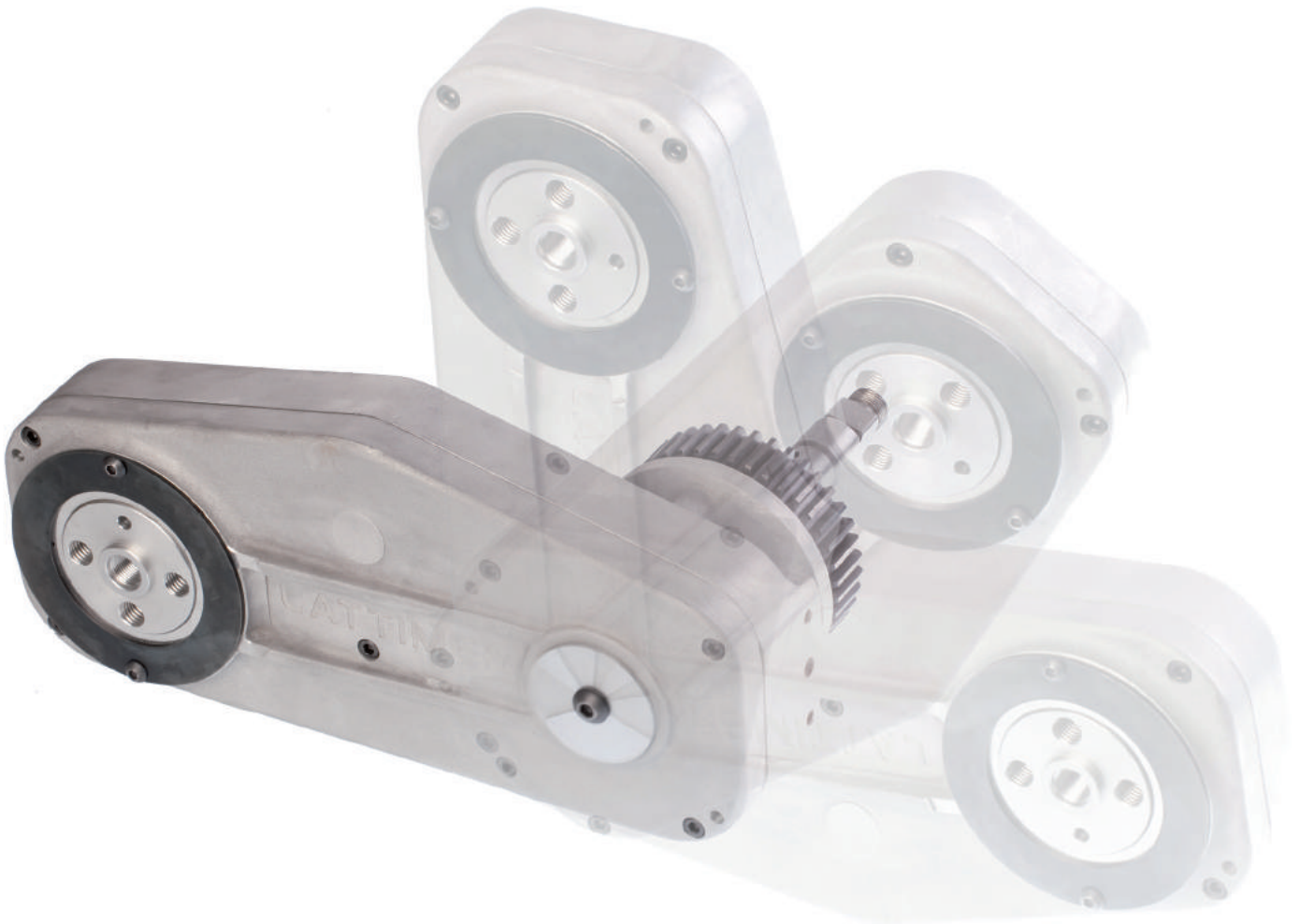


# Beltarms

- Smooth high speed Take-Out due to low inertial and mass
- Engineered to provide excellent repeatability and positional accuracy
- Lightweight robust construction using a two piece precision aluminum casting
- Low Maintenance and high reliability enabling an increase machine utilization and a reduction in running costs
- Available for most type's of manufacturers' machine's
- Simple, Positive and Accessible belt tension adjustment
- Lattimer Take Out Arms can be supplied with adaptors to suit all types of Tong Head assemblies
- Chain driven option available for challenging environments

**The Lattimer range of Take Out Arms is constantly evolving to meet the ever increasing needs of the Glass Container industry**

**4 1/4", 5", 5 1/2", 6", 6 1/4", 7" 8 1/2", 9-3/4"(quad), 4 1/4"  
T.G mould centre Beltarms available to fit most machines.**





# CONTENTS

- Section 1**      BT3000 4 1/4" Mould Centre Beltarm - L14184602
- Section 2**      BT3000 5" Mould Centre Beltarm - L14194002
- Section 3**      BT3000 5 1/2" - 6 1/4" Mould Centre Beltarm - L14184102
- Section 4**      BT3000 8 1/2" Mould Centre Beltarm - L14340500
- Section 5**      Beltarm arm repair kits / Service guide
- Section 6**      Beltarm to tong head adaptors
- Section 7**      Tool kits
- Section 8**      CT4000 NEW Lightweight Chain Arm  
BT4000 - S Series Belt Arms for Servo driven takeouts

# BT3000 4 1/4" L14184602



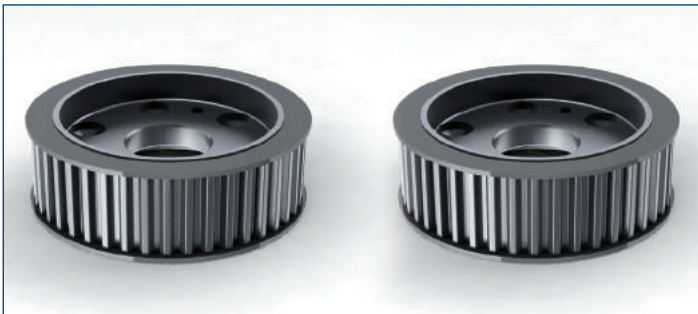
## L14184701 Cover Assembly

Belt arm cover	L34184701	1
Cover plate front	L34326400	1
Cover plate rear	L34326500	1
Screw	V1811-0250-0375	2
Screw	V1811-0375-0500	1
Washer	V3200-0375-0000	1
Screw	V1211-0250-1000	5



## L24184601 Body Assembly

Belt arm body	L34184601	1
Bush	L34302300	1
Blanking plug	V2115-0125-0375	2
Roll pin	V4600-0250-1000	2
Screw	V1211-0375-1000	3
Soft dowel	L34196500	1
Dowel	V4100-0250-1000	1



## L14184901 Input Pulley Assembly

Pulley	L34184901	1
Flanges	L94121102	2

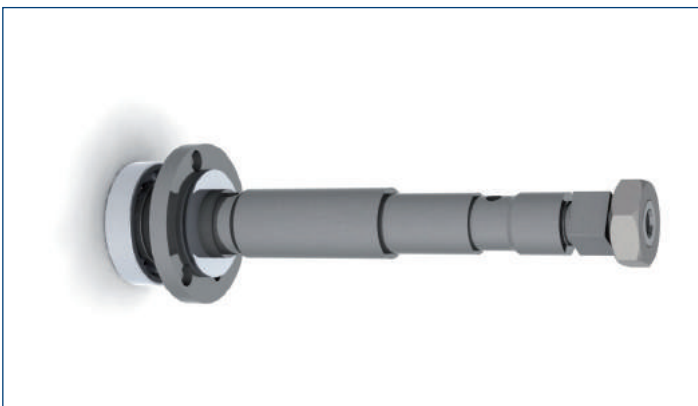
## L14184802 Output Pulley Assembly

Pulley	L34184802	1
Flange	L94121102	2



## L14186601 Drive Gear Assembly

Drive gear	L34186601	1
Oil Seal	V7200-0030-0050	1
O-ring	V7100-1750-2000	1



## L14187821 Input Shaft Assembly

Shaft	L34187801	1
Blanking plug	V2115-0125-0375	2
Nut	1180-1810	1
Thrust Washer	V8500-0030-0047	1
Thrust Cage	V8400-0030-0047	1
Bearing	V8200-0030-0013	1
Dowel	V4100-0250-0750	1
Washer	V3200-0375-0000	3
Screw	V1811-0375-0500	3

### L14186701 Input Housing Assembly

Bearing housing	L34186701	1
Bearing	V8100-0030-0026	2
O-ring	V7100-1187-1375	2
Screw	V1811-0250-0500	4

### L14302100 Tensioner Shaft Assembly

Tensioner body	L34302100	1
Tensioner Shaft	L34302200	1
spirol pin	V4700-0125-1250	1
Half nut	1180-1770	1
Thrust Washer	L94117500	1

### A L14185901 Tensioner Pulley Assembly

Tensioner pulley	L34185901	1
Bearing	V8100-0035-0016	2

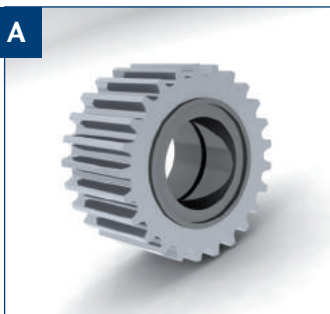
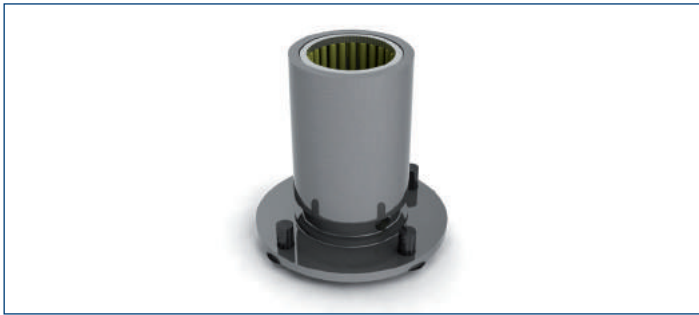
### B L14186801 Output bearing Assembly

Output bearing housing	L34186801	1
Bearing	V8200-0020-0012	1
O-ring	V7100-1062-1250	1
Seal	V7300-0612-0103	1
Screw	V1211-0250-0625	4
Washer	V3300-0250-0000	4

### L14186121 Output Shaft Assembly

Shaft	L34186101	1
Screw	V1812-0312-0750	7
Washer	V3200-0312-0000	7
Dowel	L34307100	1
Bearing	V8200-0065-0013	1

### L94318600 Belt



# BT3000 5" L14194002



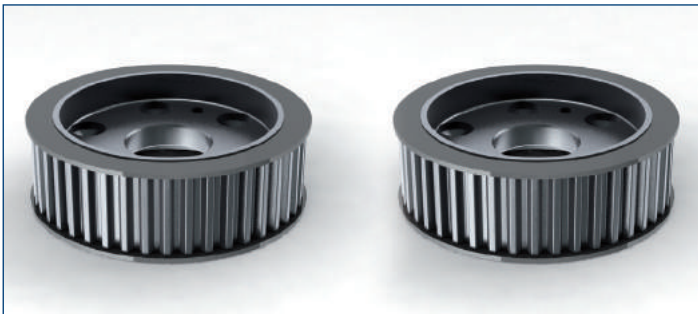
## L14194101 Cover Assembly

Belt arm cover	L34194101	1
Cover plate front	L34326400	1
Cover plate rear	L34326500	1
Screw	V1811-0250-0375	2
Screw	V1811-0375-0500	1
Washer	V3200-0375-0000	1
Screw	V1211-0250-1000	5



## L24194001 Body Assembly

Belt arm body	L34194001	1
Bush	L34302300	1
Blanking plug	V2115-0125-0375	2
Screw	V1211-0375-1000	3
Soft dowel	L34196500	1
Dowel	V4100-0250-1000	1
Roll pin	V4600-0250-1000	2



## L14193802 Input Pulley Assembly

Pulley	L34193802	1
Flanges	L94194200	2

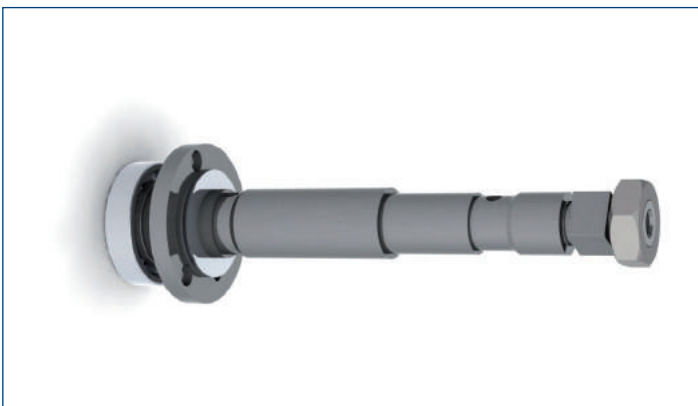
## L14193701 - Output Pulley Assembly

Pulley	L34193701	1
Flange	L94194200	2



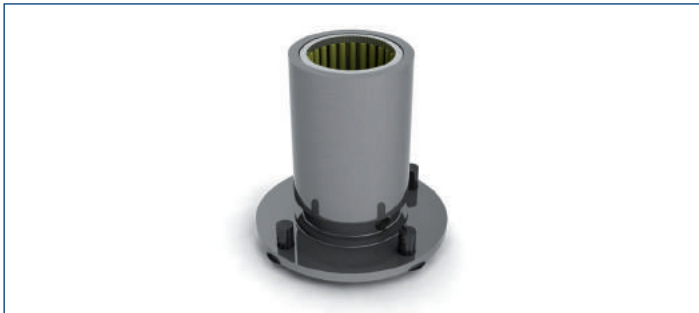
## L14186601 Drive Gear Assembly

Drive gear	L34186601	1
Oil Seal	V7200-0030-0050	1
O-ring	V7100-1750-2000	1



## L14187821 Input Shaft Assembly

Shaft	L34187801	1
Blanking plug	V2115-0125-0375	2
Nut	1180-1810	1
Dowel	V4100-0250-0750	1
Washer	V3200-0375-0000	3
Screw	V1811-0375-0500	3
Bearing	V8200-0030-0013	1
Thrust Cage	V8400-0030-0047	1
Thrust Washer	V8500-0030-0047	1



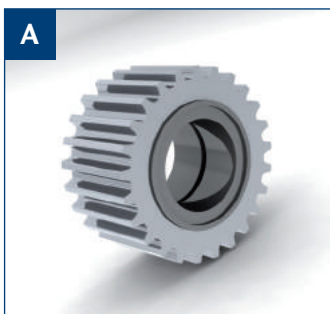
### L14186701 Input Housing Assembly

Bearing housing	L34186701	1
Bearing	V8100-0030-0026	2
O-ring	V7100-1187-1375	2
Screw	V1811-0250-0500	4



### L14302100 Tensioner Shaft Assembly

Tensioner body	L34302100	1
Tensioner Shaft	L34302200	1
Spirol pin	V4700-0125-1250	1
Half nut	1180-1770	1
Thrust Washer	L94117500	1



### A L14302600 Tensioner Pulley Assembly

Tensioner pulley	L34302600	1
Bearing	V8100-0035-0016	2



### B L14186801 Output bearing Assembly

Output bearing housing	L34186801	1
Bearing	V8200-0020-0012	1
O-ring	V7100-1062-1250	1
Seal	V7300-0612-0103	1
Screw	V1211-0250-0625	4
Washer	V3300-0250-0000	4



### L34186121 Output Shaft Assembly

Shaft	L34186101	1
Screw	V1812-0312-0750	6
Washer	V3200-0312-0000	6
Dowel	L34307100	1
Bearing	V8200-0065-0013	1

### L94318600 Belt



# BT3000 5 1/2" - 6 1/4 L14184102



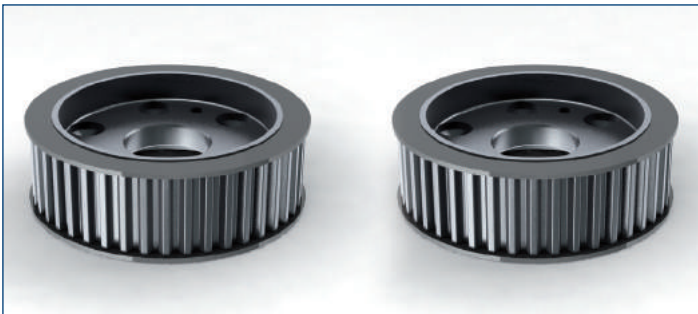
## L14184201 Cover Assembly

Belt arm cover	L34184201	1
Cover plate front	L34326400	1
Cover plate rear	L34326500	1
Screw	V1811-0250-0375	2
Screw	V1811-0375-0500	1
Washer	V3200-0375-0000	1
Screw	V1211-0250-1000	5



## L24184001 Body Assembly

Belt arm body	L34184100	1
Bush	L34302300	1
Blanking plug	V2115-0125-0375	2
Roll pin	V4600-0250-1000	2
Screw	V1211-0375-1000	3
Soft dowel	L34196500	1
Dowel	V4100-0250-1000	1



## L14301800 Input Pulley Assembly

Pulley	L34301800	1
Flanges	L94301900	2

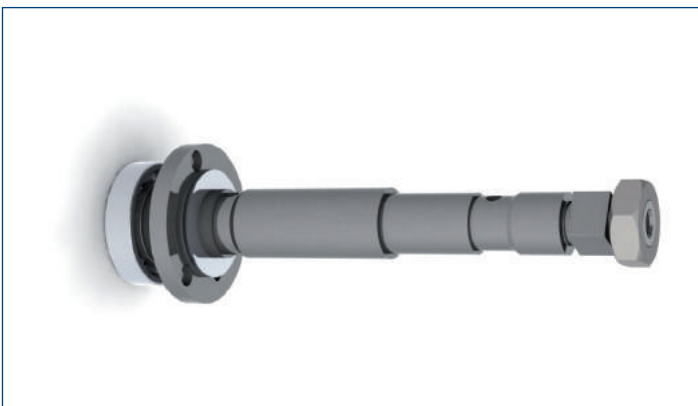
## L14301701 - Output Pulley Assembly

Pulley	L34301701	1
Flange	L94301900	2



## L14186601 Drive Gear Assembly

Drive gear	L34186601	1
Oil Seal	V7200-0030-0050	1
O-ring	V7100-1750-2000	1



## L14187821 Input Shaft Assy

Shaft	L34187801	1
Blanking plug	V2115-0125-0375	2
Nut	1180-1810	1
Bearing	V8200-0030-0013	1
Dowel	V4100-0250-0750	1
Washer	V3200-0375-0000	3
Screw	V1811-0375-0500	3
Thrust Cage	V8400-0030-0047	1
Thrust Washer	V8500-0030-0047	1

### L14186701 Input Housing Assembly

Bearing housing	L34186701	1
Bearing	V8100-0030-0026	2
O-ring	V7100-1187-1375	2
Screw	V1811-0250-0500	4

### L14186701 Input Housing Assembly

Tensioner body	L34302100	1
Tensioner Shaft	L34302200	1
Spirol pin	V4700-0125-1250	1
Half nut	1180-1770	1
Thrust Washer	L94117500	1

### A L14302600 Tensioner Pulley Assembly

Tensioner pulley	L34302600	1
Bearing	V8100-0035-0016	2

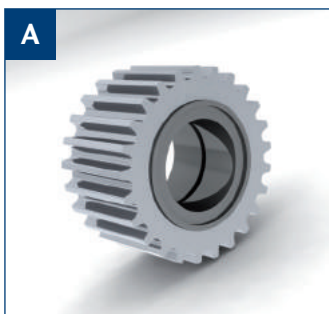
### B L14186801 Output bearing Assembly

Output bearing housing	L34186801	1
Bearing	V8200-0020-0012	1
O-ring	V7100-1062-1250	1
Seal	V7300-0612-0103	1
Screw	V1211-0250-0625	4
Washer	V3300-0250-0000	4

### L14302021 Output Shaft Assembly

Shaft	L34302001	1
Screw	V1812-0312-0750	6
Washer	V3200-0312-0000	6
Dowel	L34307100	1
Bearing	V8200-0065-0013	1

### L94302700 Belt



# BT3000 8 1/2" L14340500



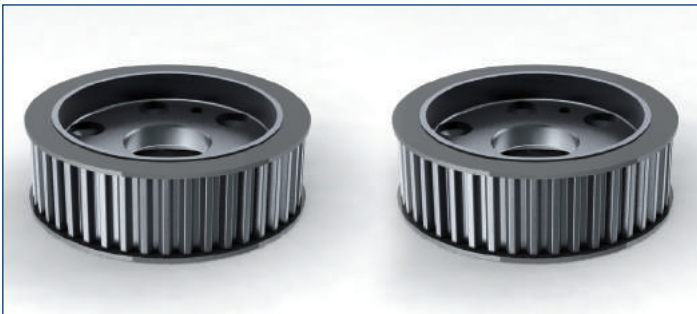
### L24340500 Cover Assembly

Belt arm cover	L34184201	1
Cover plate front	L34326400	1
Cover plate rear	L34326500	1
Screw	V1811-0250-0375	2
Screw	V1811-0375-0500	1
Washer	V3200-0375-0000	1
Screw	V1211-0250-1000	5



### L14340500 Body Assembly

Belt arm body	L34340500	1
Bush	L34302300	1
Blanking plug	V2115-0125-0375	2
Roll pin	V4600-0250-1000	2
O-ring	V7100-2250-2500	1
Screw	V1211-0375-1000	3
Soft dowel	L34196500	1
Dowel	V4100-0250-1000	1



### L14301801 Input Pulley Assembly

Pulley	L34301801	1
Flanges	L94301900	2

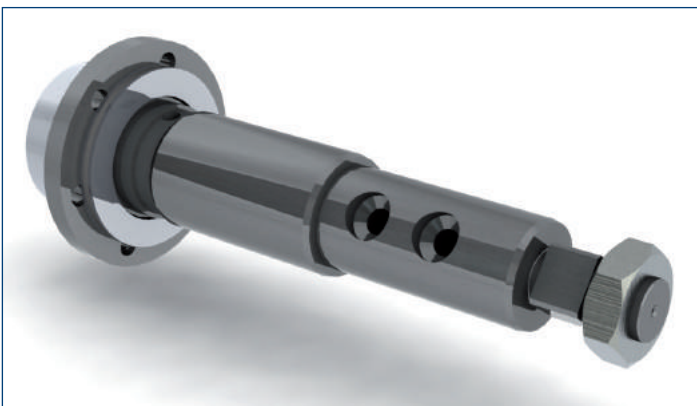
### L14301701 - Output Pulley Assembly

Pulley	L34301701	1
Flange	L94301900	2



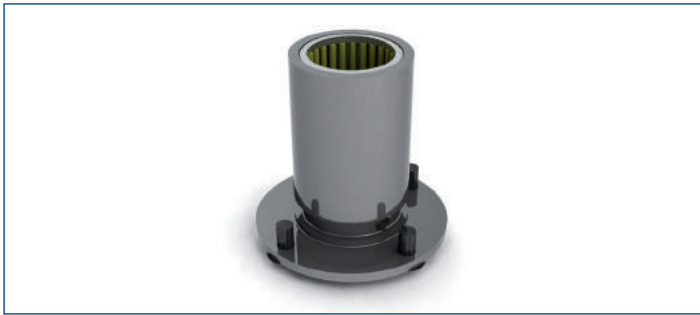
### L14318000 Drive Gear Assembly

Drive gear	L34318000	1
Oil Seal	V7200-1625-2125	1
O-ring	V7100-1625-1812	2



### L14317221 Input Shaft Assembly

Shaft	L34317201	1
Blanking plug	V2115-0125-0375	2
Nut	1180-1810	1
Dowel	V4100-0250-0750	1
Washer	V3200-0375-0000	6
Screw	V1811-0375-0500	6
Bearing	V8200-0030-0013	1
Thrust Cage	V8400-1750-2500	1
Thrust Washer	V8500-1750-2500	1



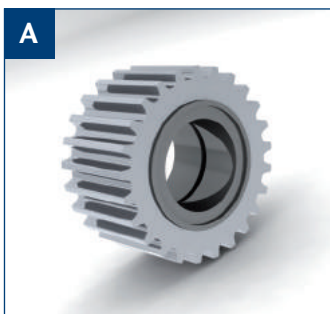
### L14317300 Input Housing Assembly

Bearing housing	L34317300	1
Bearing	V8100-1625-1000	2
O-ring	V7100-1625-1812	2
Screw	V1811-0250-0500	4



### L14302100 Tensioner Shaft Assembly

Tensioner body	L34302100	1
Tensioner Shaft	L34302200	1
Spirol pin	V4700-0125-1250	1
Half nut	1180-1770	1
Thrust Washer	L94117500	1



### A L14302600 Tensioner Pulley Assembly

Tensioner pulley	L34302600	1
Bearing	V8100-0035-0016	2

### B L14186801 Output bearing Assembly

Output bearing housing	L34186801	1
Bearing	V8200-0020-0012	1
O-ring	V7100-1062-1250	1
Seal	V7300-0612-0103	1
Screw	V1211-0250-0625	4
Washer	V3300-0250-0000	4



### L14302021 Output Shaft Assembly

Shaft	L34302001	1
Screw	V1812-0312-0750	6
Washer	V3200-0312-0000	6
Dowel	L34307100	1
Bearing	V8200-0065-0013	1



### L94302700 Belt

# Beltarm Repair Kits / Maintenance Guide



## Seal Kit

(4 1/4", 5", 5 1/2", 6 1/4" Ctr)	L14184670
(8 1/2" Ctr)	L14340570

## Bearing Kit

(4 1/4", 5" Ctr)	L14184650
(5 1/2", 6 1/4" Ctr)	L14184150
(8 1/2" Ctr)	L14340550

## Replacement belt

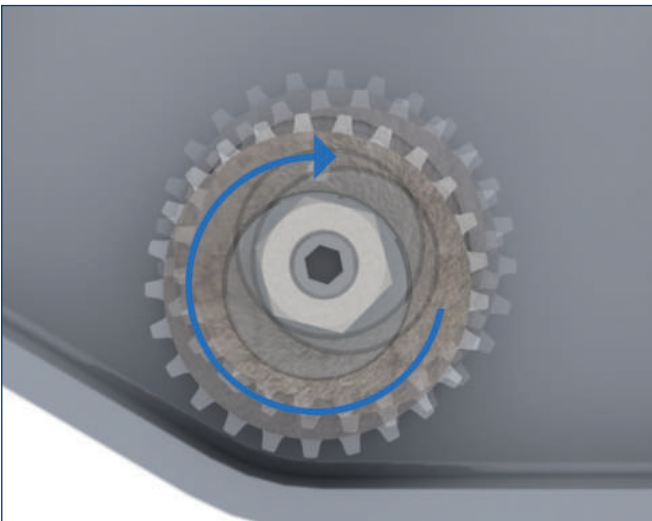
(4 1/4", 5" Ctr)	L94318600
(5 1/2", 6 1/4", 8 1/2" Ctr)	L94302700

## Screw Kits

(4 1/4", 5" Ctr)	L14184660
(5 1/2", 6 1/4" Ctr)	L14184160
(8 1/2" Ctr)	L14340560

## Tensioning details

Eccentric tensioner design, allow for quick and easy tension of belt with minimal down time.



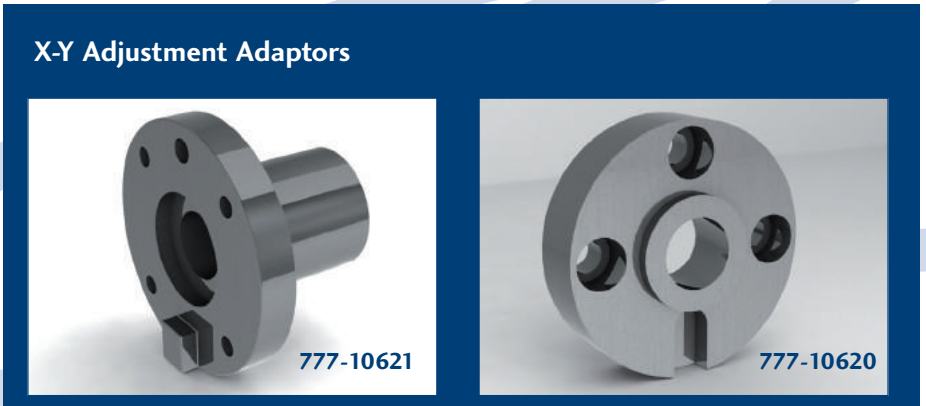
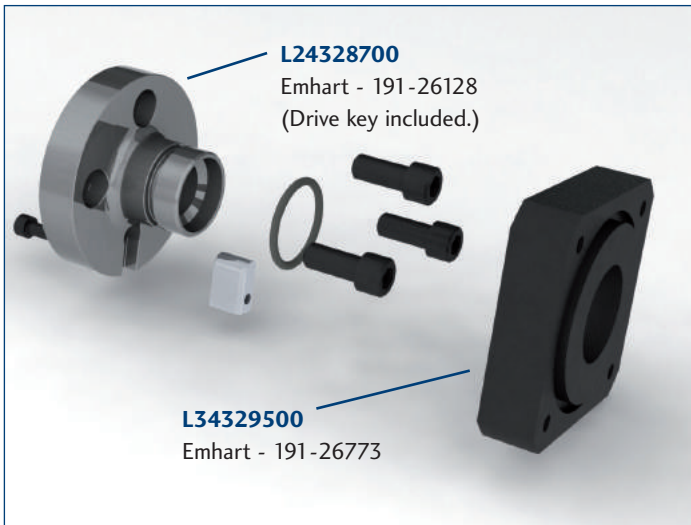
## Maintenance

All Lattimer Ltd Belt Arms are supplied as a maintenance free sealed unit using the latest technology currently available to our industry.

All Beltarms must be disassembled and assembled using the correct tool kit as stated in Section 7.

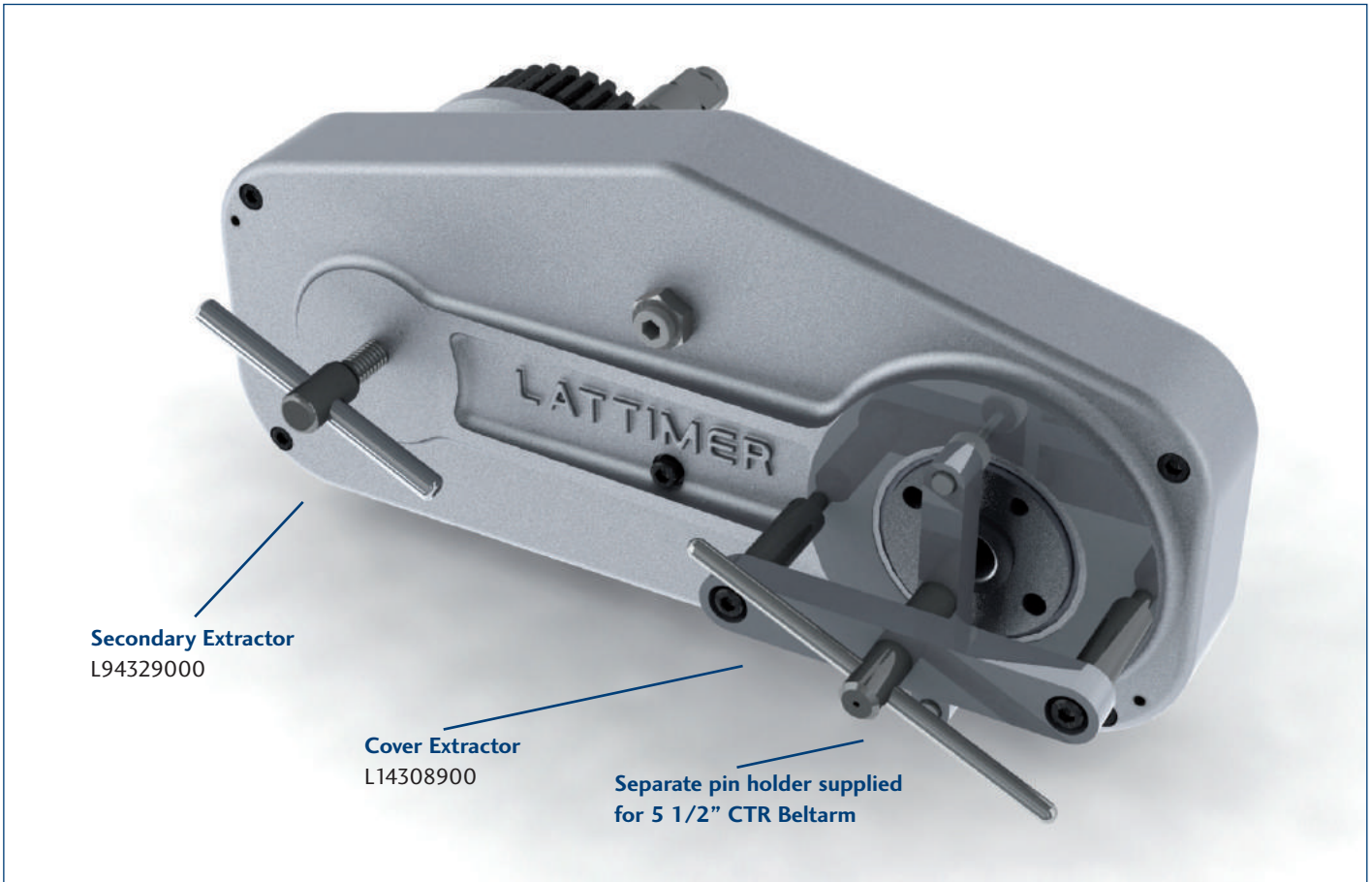
All replacement bearings supplied by Lattimer Ltd contain the correct grease and it is recommended that only these bearings be used.

**Recommended lubricant is a fully synthetic high temperature based grease.**



Beltarm to Tong head adaptors available to fit a wide range of machines.  
Bespoke adaptors available on request. Contact our Sales Team.

# Tool Kits



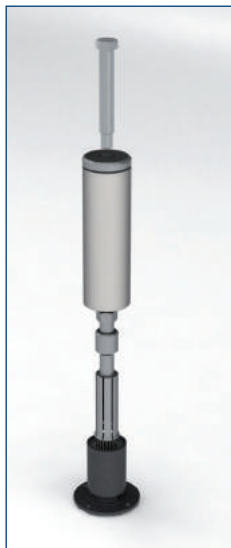
**Main shaft bearing remover (NOT SHOWN) can be ordered Stating Tool No. L94333400. (Price available on request). This Is NOT a part of the tool kit.**  
 Specific Quad-arm Tool Kit available on request.



**A Handle Punch**  
L14309500  
**B Bush**  
L34309700



**A Bearing Punch**  
L34310700  
**B BearingCup**  
L34310600



**Rear Bearing Housing Remover**  
L14309800



**Housing Extractor**  
L14310200



**Pulley Shaft Bush**  
L34311300 (for use on 4 1/4" and 5" Beltarms)



**Bearing Remover**  
L14311401 (for use on 5 1/2" Beltarms)

## CT4000 New Lightweight Chain Arm

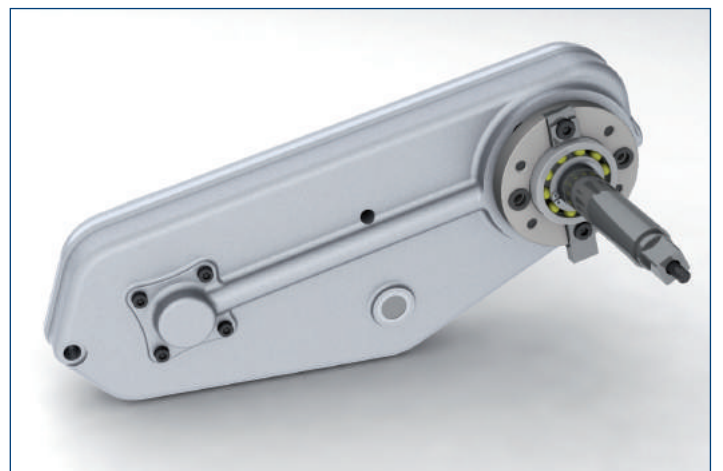


### New Lightweight Chain Arm

- Positive and Precise Movement
- Reliable and Robust Construction
- State of the art Inverted Toothed Chain Technology
- Lattimer Beltarms can be retrofitted with chain kits to provide a cost effective solution

**Available for most machine sizes: 4 1/4", 5", 5 1/2"- 6 1/4", 6", 7", 8 1/2", 10"**

**BT4000SN (NIS) and BT4000SA (IS & AIS) Servo driven takeout arms also available**







## Precautions on Use

### HANDLING

Do not drop the product or subject it to high impact as doing so may lead to damage, therefore care should be exercised in its handling.

### MAINTENANCE

All Lattimer Takeout Arms are supplied as maintenance free sealed unit's. If and when necessary Arms must be disassembled and assembled using the correct tool kit as recommended. To ensure satisfactory extended service life Lattimer replacement parts are selected and specified for their high quality and reliability, it is therefore recommended that only genuine Lattimer parts be fitted.

**Footnote:** The appearance and specifications of the product are subject to change without notice, if in doubt contact Lattimer. Although great care has been taken in the production of this brochure Lattimer will not be held responsible for damage resulting from errors or omissions.



Lattimer  
79-83 Shakespeare Street  
Southport, Merseyside  
England PR8 5AP

Tel: +44 (0) 1704 535040  
Fax: +44 (0) 1704 541046  
Email: [sales@lattimer.com](mailto:sales@lattimer.com)  
Web: [www.lattimer.com](http://www.lattimer.com)

Lattimer  
3603 North Mill Road  
Vineland  
New Jersey 08360, USA

Tel: +1 (856) 691 2203  
Fax: +1 (856) 691 5509  
Email: [salesamericas@lattimer.com](mailto:salesamericas@lattimer.com)  
Web: [www.lattimer.com](http://www.lattimer.com)

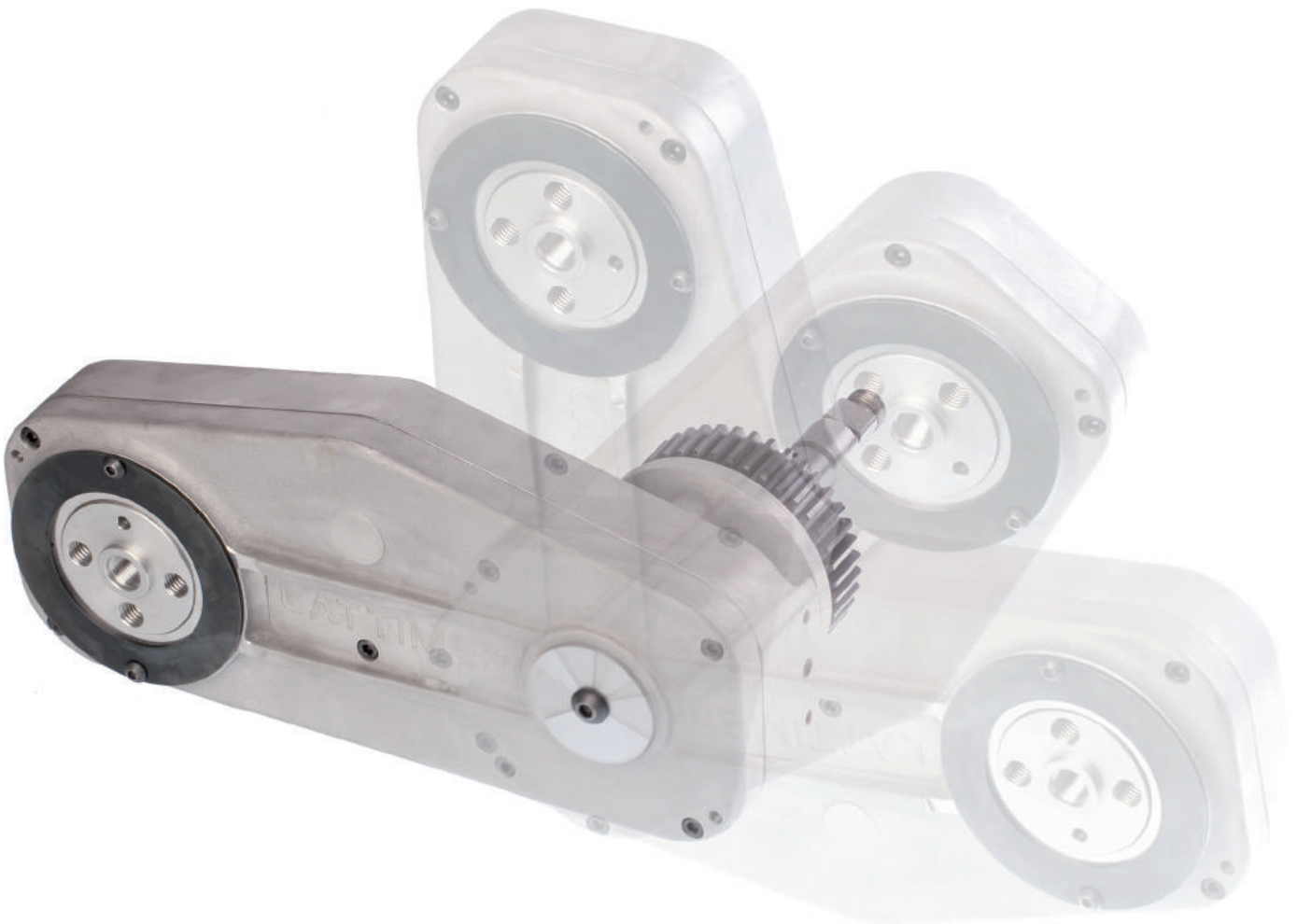


# Beltarms

- Smooth high speed Take-Out due to low inertial and mass
- Engineered to provide excellent repeatability and positional accuracy
- Lightweight robust construction using a two piece precision aluminum casting
- Low Maintenance and high reliability enabling an increase machine utilization and a reduction in running costs
- Available for most type's of manufacturers' machine's
- Simple, Positive and Accessible belt tension adjustment
- Lattimer Take Out Arms can be supplied with adaptors to suit all types of Tong Head assemblies
- Chain driven option available for challenging environments

**The Lattimer range of Take Out Arms is constantly evolving to meet the ever increasing needs of the Glass Container industry**

**4 1/4", 5", 5 1/2", 6", 6 1/4", 7" 8 1/2", 9-3/4"(quad), 4 1/4"  
T.G mould centre Beltarms available to fit most machines.**





# CONTENTS

- Section 1**      BT3000 4 1/4" Mould Centre Beltarm - L14184602
- Section 2**      BT3000 5" Mould Centre Beltarm - L14194002
- Section 3**      BT3000 5 1/2" - 6 1/4" Mould Centre Beltarm - L14184102
- Section 4**      BT3000 8 1/2" Mould Centre Beltarm - L14340500
- Section 5**      Beltarm arm repair kits / Service guide
- Section 6**      Beltarm to tong head adaptors
- Section 7**      Tool kits
- Section 8**      CT4000 NEW Lightweight Chain Arm  
BT4000 - S Series Belt Arms for Servo driven takeouts

# BT3000 4 1/4" L14184602



## L14184701 Cover Assembly

Belt arm cover	L34184701	1
Cover plate front	L34326400	1
Cover plate rear	L34326500	1
Screw	V1811-0250-0375	2
Screw	V1811-0375-0500	1
Washer	V3200-0375-0000	1
Screw	V1211-0250-1000	5



## L24184601 Body Assembly

Belt arm body	L34184601	1
Bush	L34302300	1
Blanking plug	V2115-0125-0375	2
Roll pin	V4600-0250-1000	2
Screw	V1211-0375-1000	3
Soft dowel	L34196500	1
Dowel	V4100-0250-1000	1



## L14184901 Input Pulley Assembly

Pulley	L34184901	1
Flanges	L94121102	2

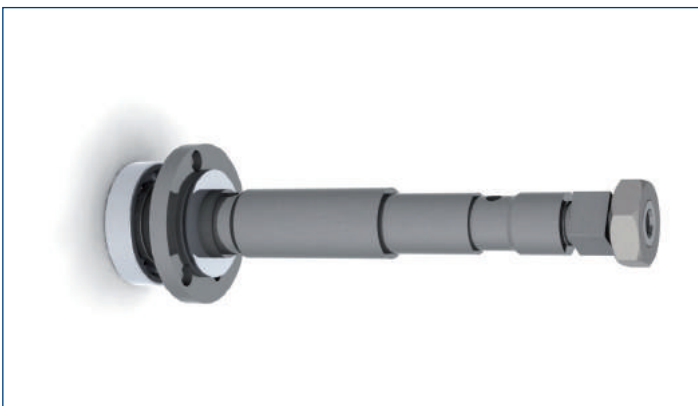
## L14184802 Output Pulley Assembly

Pulley	L34184802	1
Flange	L94121102	2



## L14186601 Drive Gear Assembly

Drive gear	L34186601	1
Oil Seal	V7200-0030-0050	1
O-ring	V7100-1750-2000	1



## L14187821 Input Shaft Assembly

Shaft	L34187801	1
Blanking plug	V2115-0125-0375	2
Nut	1180-1810	1
Thrust Washer	V8500-0030-0047	1
Thrust Cage	V8400-0030-0047	1
Bearing	V8200-0030-0013	1
Dowel	V4100-0250-0750	1
Washer	V3200-0375-0000	3
Screw	V1811-0375-0500	3

### L14186701 Input Housing Assembly

Bearing housing	L34186701	1
Bearing	V8100-0030-0026	2
O-ring	V7100-1187-1375	2
Screw	V1811-0250-0500	4

### L14302100 Tensioner Shaft Assembly

Tensioner body	L34302100	1
Tensioner Shaft	L34302200	1
spirol pin	V4700-0125-1250	1
Half nut	1180-1770	1
Thrust Washer	L94117500	1

### A L14185901 Tensioner Pulley Assembly

Tensioner pulley	L34185901	1
Bearing	V8100-0035-0016	2

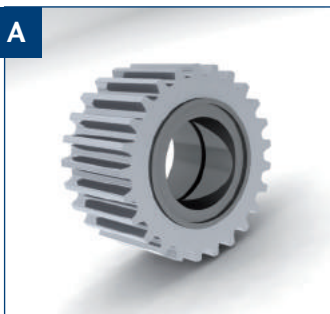
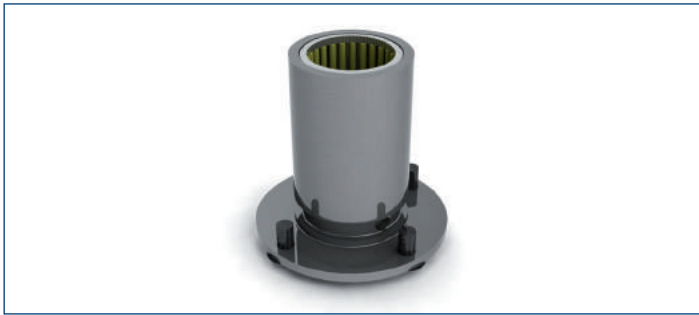
### B L14186801 Output bearing Assembly

Output bearing housing	L34186801	1
Bearing	V8200-0020-0012	1
O-ring	V7100-1062-1250	1
Seal	V7300-0612-0103	1
Screw	V1211-0250-0625	4
Washer	V3300-0250-0000	4

### L14186121 Output Shaft Assembly

Shaft	L34186101	1
Screw	V1812-0312-0750	7
Washer	V3200-0312-0000	7
Dowel	L34307100	1
Bearing	V8200-0065-0013	1

### L94318600 Belt



# BT3000 5" L14194002



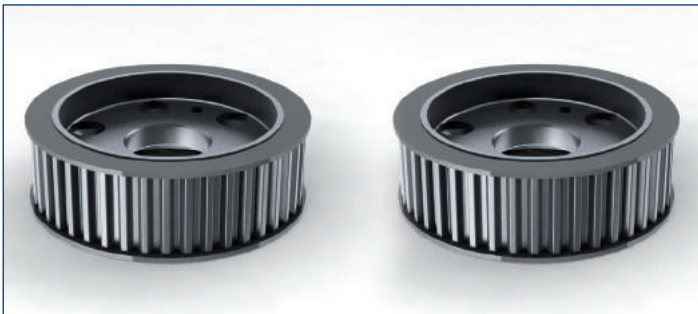
## L14194101 Cover Assembly

Belt arm cover	L34194101	1
Cover plate front	L34326400	1
Cover plate rear	L34326500	1
Screw	V1811-0250-0375	2
Screw	V1811-0375-0500	1
Washer	V3200-0375-0000	1
Screw	V1211-0250-1000	5



## L24194001 Body Assembly

Belt arm body	L34194001	1
Bush	L34302300	1
Blanking plug	V2115-0125-0375	2
Screw	V1211-0375-1000	3
Soft dowel	L34196500	1
Dowel	V4100-0250-1000	1
Roll pin	V4600-0250-1000	2



## L14193802 Input Pulley Assembly

Pulley	L34193802	1
Flanges	L94194200	2

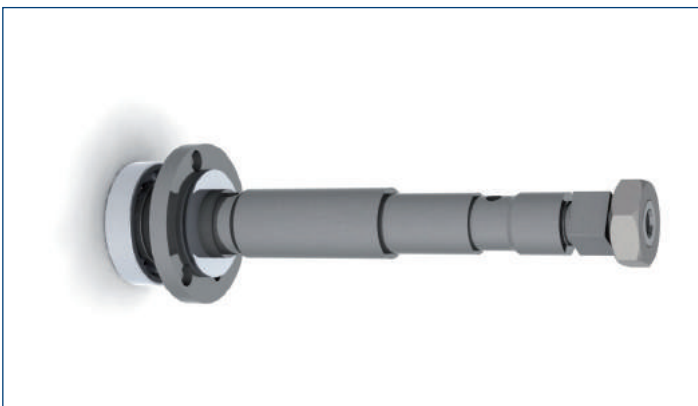
## L14193701 - Output Pulley Assembly

Pulley	L34193701	1
Flange	L94194200	2



## L14186601 Drive Gear Assembly

Drive gear	L34186601	1
Oil Seal	V7200-0030-0050	1
O-ring	V7100-1750-2000	1



## L14187821 Input Shaft Assembly

Shaft	L34187801	1
Blanking plug	V2115-0125-0375	2
Nut	1180-1810	1
Dowel	V4100-0250-0750	1
Washer	V3200-0375-0000	3
Screw	V1811-0375-0500	3
Bearing	V8200-0030-0013	1
Thrust Cage	V8400-0030-0047	1
Thrust Washer	V8500-0030-0047	1

### L14186701 Input Housing Assembly

Bearing housing	L34186701	1
Bearing	V8100-0030-0026	2
O-ring	V7100-1187-1375	2
Screw	V1811-0250-0500	4

### L14302100 Tensioner Shaft Assembly

Tensioner body	L34302100	1
Tensioner Shaft	L34302200	1
Spirol pin	V4700-0125-1250	1
Half nut	1180-1770	1
Thrust Washer	L94117500	1

### A L14302600 Tensioner Pulley Assembly

Tensioner pulley	L34302600	1
Bearing	V8100-0035-0016	2

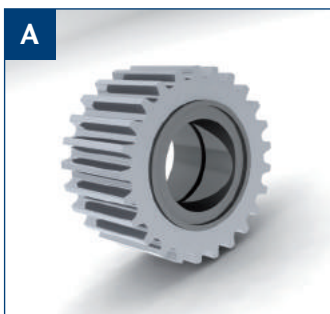
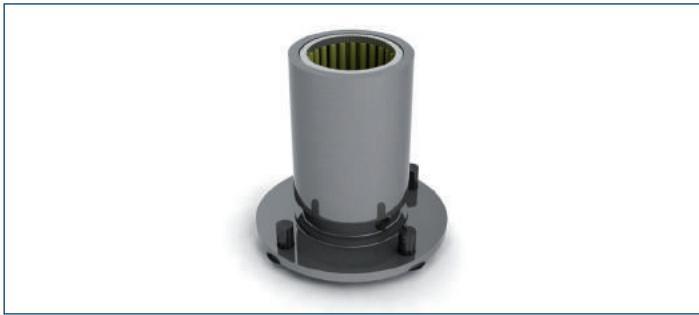
### B L14186801 Output bearing Assembly

Output bearing housing	L34186801	1
Bearing	V8200-0020-0012	1
O-ring	V7100-1062-1250	1
Seal	V7300-0612-0103	1
Screw	V1211-0250-0625	4
Washer	V3300-0250-0000	4

### L34186121 Output Shaft Assembly

Shaft	L34186101	1
Screw	V1812-0312-0750	6
Washer	V3200-0312-0000	6
Dowel	L34307100	1
Bearing	V8200-0065-0013	1

### L94318600 Belt



# BT3000 5 1/2" - 6 1/4 L14184102



## L14184201 Cover Assembly

Belt arm cover	L34184201	1
Cover plate front	L34326400	1
Cover plate rear	L34326500	1
Screw	V1811-0250-0375	2
Screw	V1811-0375-0500	1
Washer	V3200-0375-0000	1
Screw	V1211-0250-1000	5



## L24184001 Body Assembly

Belt arm body	L34184100	1
Bush	L34302300	1
Blanking plug	V2115-0125-0375	2
Roll pin	V4600-0250-1000	2
Screw	V1211-0375-1000	3
Soft dowel	L34196500	1
Dowel	V4100-0250-1000	1



## L14301800 Input Pulley Assembly

Pulley	L34301800	1
Flanges	L94301900	2

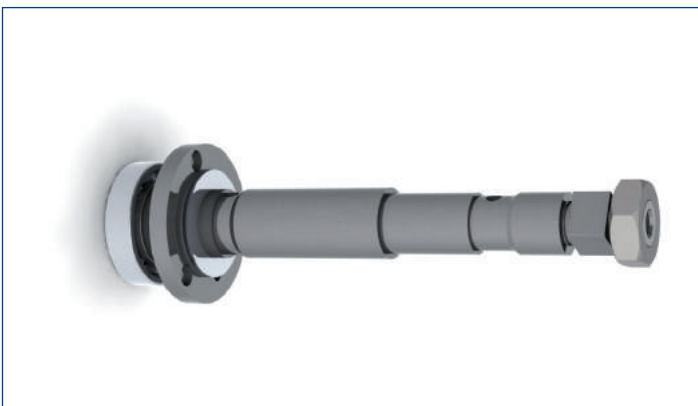
## L14301701 - Output Pulley Assembly

Pulley	L34301701	1
Flange	L94301900	2



## L14186601 Drive Gear Assembly

Drive gear	L34186601	1
Oil Seal	V7200-0030-0050	1
O-ring	V7100-1750-2000	1



## L14187821 Input Shaft Assy

Shaft	L34187801	1
Blanking plug	V2115-0125-0375	2
Nut	1180-1810	1
Bearing	V8200-0030-0013	1
Dowel	V4100-0250-0750	1
Washer	V3200-0375-0000	3
Screw	V1811-0375-0500	3
Thrust Cage	V8400-0030-0047	1
Thrust Washer	V8500-0030-0047	1



### L14186701 Input Housing Assembly

Bearing housing	L34186701	1
Bearing	V8100-0030-0026	2
O-ring	V7100-1187-1375	2
Screw	V1811-0250-0500	4

### L14186701 Input Housing Assembly

Tensioner body	L34302100	1
Tensioner Shaft	L34302200	1
Spirol pin	V4700-0125-1250	1
Half nut	1180-1770	1
Thrust Washer	L94117500	1

### A L14302600 Tensioner Pulley Assembly

Tensioner pulley	L34302600	1
Bearing	V8100-0035-0016	2

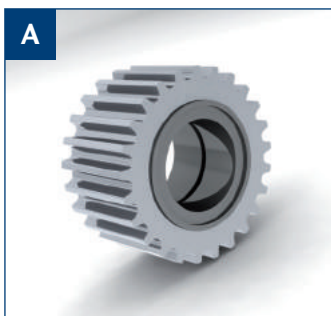
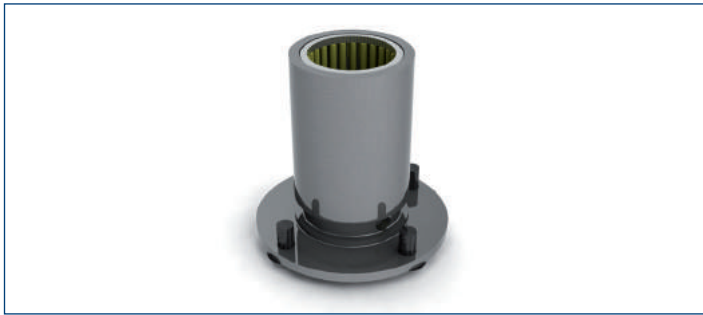
### B L14186801 Output bearing Assembly

Output bearing housing	L34186801	1
Bearing	V8200-0020-0012	1
O-ring	V7100-1062-1250	1
Seal	V7300-0612-0103	1
Screw	V1211-0250-0625	4
Washer	V3300-0250-0000	4

### L14302021 Output Shaft Assembly

Shaft	L34302001	1
Screw	V1812-0312-0750	6
Washer	V3200-0312-0000	6
Dowel	L34307100	1
Bearing	V8200-0065-0013	1

### L94302700 Belt



# BT3000 8 1/2" L14340500



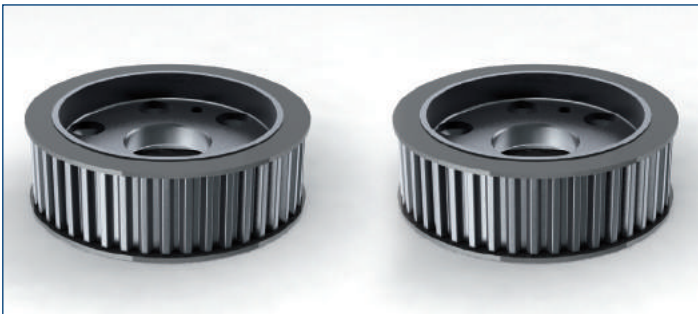
### L24340500 Cover Assembly

Belt arm cover	L34184201	1
Cover plate front	L34326400	1
Cover plate rear	L34326500	1
Screw	V1811-0250-0375	2
Screw	V1811-0375-0500	1
Washer	V3200-0375-0000	1
Screw	V1211-0250-1000	5



### L14340500 Body Assembly

Belt arm body	L34340500	1
Bush	L34302300	1
Blanking plug	V2115-0125-0375	2
Roll pin	V4600-0250-1000	2
O-ring	V7100-2250-2500	1
Screw	V1211-0375-1000	3
Soft dowel	L34196500	1
Dowel	V4100-0250-1000	1



### L14301801 Input Pulley Assembly

Pulley	L34301801	1
Flanges	L94301900	2

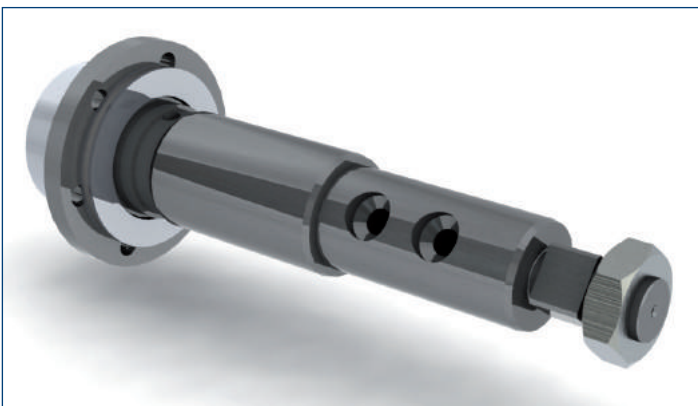
### L14301701 - Output Pulley Assembly

Pulley	L34301701	1
Flange	L94301900	2



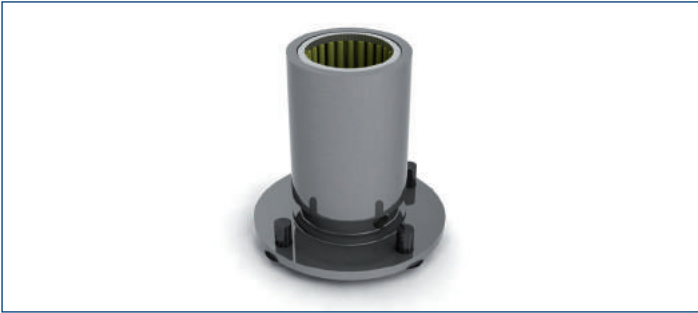
### L14318000 Drive Gear Assembly

Drive gear	L34318000	1
Oil Seal	V7200-1625-2125	1
O-ring	V7100-1625-1812	2



### L14317221 Input Shaft Assembly

Shaft	L34317201	1
Blanking plug	V2115-0125-0375	2
Nut	1180-1810	1
Dowel	V4100-0250-0750	1
Washer	V3200-0375-0000	6
Screw	V1811-0375-0500	6
Bearing	V8200-0030-0013	1
Thrust Cage	V8400-1750-2500	1
Thrust Washer	V8500-1750-2500	1



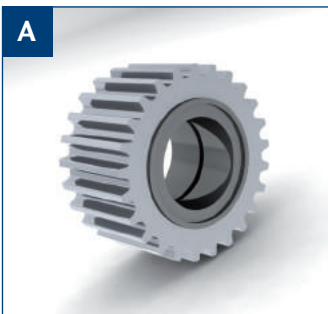
### L14317300 Input Housing Assembly

Bearing housing	L34317300	1
Bearing	V8100-1625-1000	2
O-ring	V7100-1625-1812	2
Screw	V1811-0250-0500	4



### L14302100 Tensioner Shaft Assembly

Tensioner body	L34302100	1
Tensioner Shaft	L34302200	1
Spirol pin	V4700-0125-1250	1
Half nut	1180-1770	1
Thrust Washer	L94117500	1



### A L14302600 Tensioner Pulley Assembly

Tensioner pulley	L34302600	1
Bearing	V8100-0035-0016	2

### B L14186801 Output bearing Assembly

Output bearing housing	L34186801	1
Bearing	V8200-0020-0012	1
O-ring	V7100-1062-1250	1
Seal	V7300-0612-0103	1
Screw	V1211-0250-0625	4
Washer	V3300-0250-0000	4



### L14302021 Output Shaft Assembly

Shaft	L34302001	1
Screw	V1812-0312-0750	6
Washer	V3200-0312-0000	6
Dowel	L34307100	1
Bearing	V8200-0065-0013	1



### L94302700 Belt

# Beltarm Repair Kits / Maintenance Guide



### Seal Kit

(4 1/4", 5", 5 1/2", 6 1/4" Ctr)	L14184670
(8 1/2" Ctr)	L14340570

### Bearing Kit

(4 1/4", 5" Ctr)	L14184650
(5 1/2", 6 1/4" Ctr)	L14184150
(8 1/2" Ctr)	L14340550

### Replacement belt

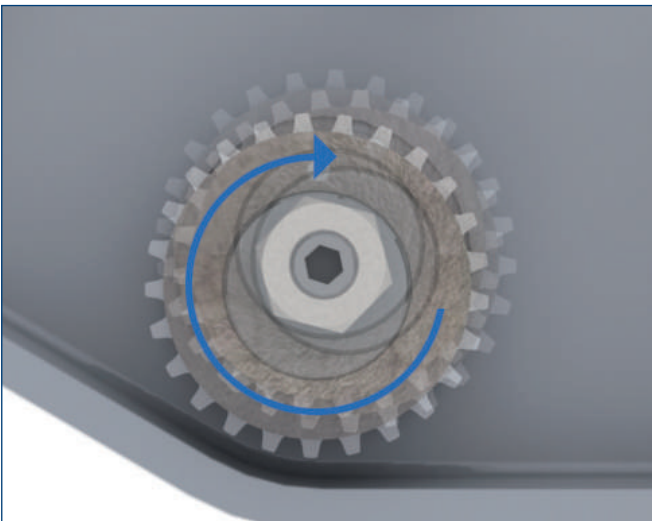
(4 1/4", 5" Ctr)	L94318600
(5 1/2", 6 1/4", 8 1/2" Ctr)	L94302700

### Screw Kits

(4 1/4", 5" Ctr)	L14184660
(5 1/2", 6 1/4" Ctr)	L14184160
(8 1/2" Ctr)	L14340560

## Tensioning details

Eccentric tensioner design, allow for quick and easy tension of belt with minimal down time.



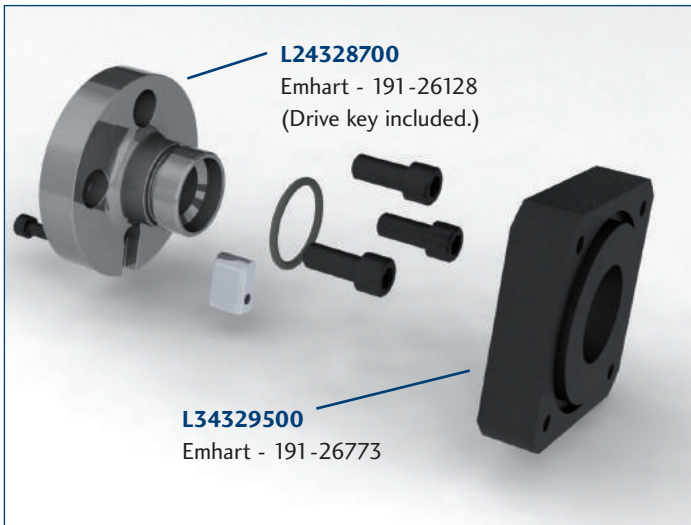
## Maintenance

All Lattimer Ltd Belt Arms are supplied as a maintenance free sealed unit using the latest technology currently available to our industry.

All Beltarms must be disassembled and assembled using the correct tool kit as stated in Section 7.

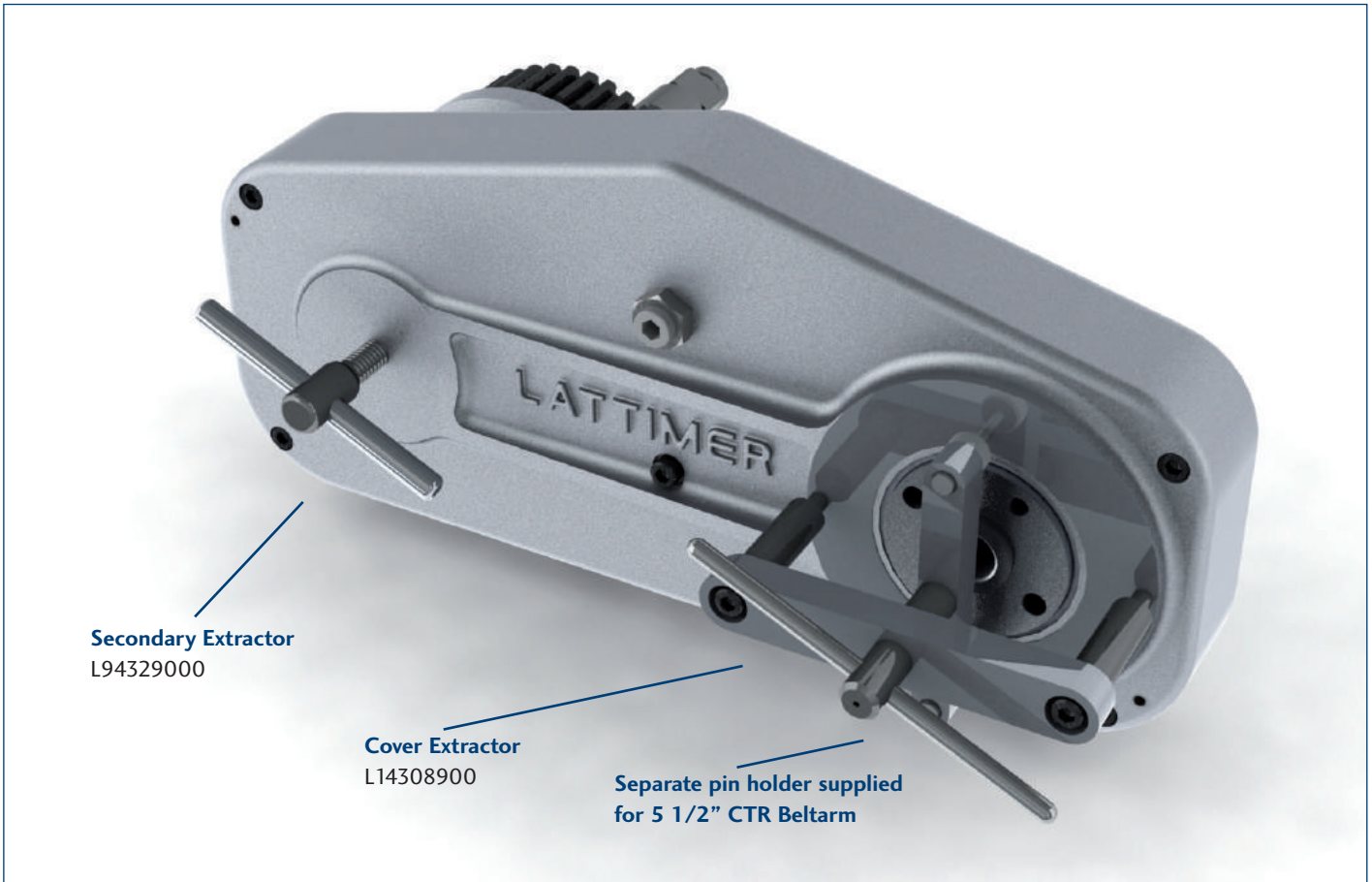
All replacement bearings supplied by Lattimer Ltd contain the correct grease and it is recommended that only these bearings be used.

**Recommended lubricant is a fully synthetic high temperature based grease.**



Beltarm to Tong head adaptors available to fit a wide range of machines.  
Bespoke adaptors available on request. Contact our Sales Team.

# Tool Kits



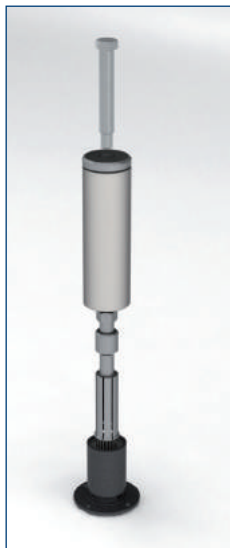
**Main shaft bearing remover (NOT SHOWN) can be ordered Stating Tool No. L94333400. (Price available on request). This Is NOT a part of the tool kit.**  
**Specific Quad-arm Tool Kit available on request.**



**A Handle Punch**  
L14309500  
**B Bush**  
L34309700



**A Bearing Punch**  
L34310700  
**B BearingCup**  
L34310600



**Rear Bearing Housing Remover**  
L14309800



**Housing Extractor**  
L14310200



**Pulley Shaft Bush**  
L34311300 (for use on 4 1/4" and 5" Beltarms)



**Bearing Remover**  
L14311401 (for use on 5 1/2" Beltarms)

## CT4000 New Lightweight Chain Arm



### New Lightweight Chain Arm

- Positive and Precise Movement
- Reliable and Robust Construction
- State of the art Inverted Toothed Chain Technology
- Lattimer Beltarms can be retrofitted with chain kits to provide a cost effective solution

**Available for most machine sizes: 4 1/4", 5", 5 1/2"- 6 1/4", 6", 7", 8 1/2", 10"**

**BT4000SN (NIS) and BT4000SA (IS & AIS) Servo driven takeout arms also available**





## Precautions on Use

### HANDLING

Do not drop the product or subject it to high impact as doing so may lead to damage, therefore care should be exercised in its handling.

### MAINTENANCE

All Lattimer Takeout Arms are supplied as maintenance free sealed unit's. If and when necessary Arms must be disassembled and assembled using the correct tool kit as recommended. To ensure satisfactory extended service life Lattimer replacement parts are selected and specified for their high quality and reliability, it is therefore recommended that only genuine Lattimer parts be fitted.

**Footnote:** The appearance and specifications of the product are subject to change without notice, if in doubt contact Lattimer. Although great care has been taken in the production of this brochure Lattimer will not be held responsible for damage resulting from errors or omissions.



Lattimer  
79-83 Shakespeare Street  
Southport, Merseyside  
England PR8 5AP

Tel: +44 (0) 1704 535040  
Fax: +44 (0) 1704 541046  
Email: [sales@lattimer.com](mailto:sales@lattimer.com)  
Web: [www.lattimer.com](http://www.lattimer.com)

Lattimer  
3603 North Mill Road  
Vineland  
New Jersey 08360, USA

Tel: +1 (856) 691 2203  
Fax: +1 (856) 691 5509  
Email: [salesamericas@lattimer.com](mailto:salesamericas@lattimer.com)  
Web: [www.lattimer.com](http://www.lattimer.com)