

Company
Brochure





QUALITY

Lattimer's procedures and manufacturing processes ensure that our products are engineered and manufactured to our exacting standards.



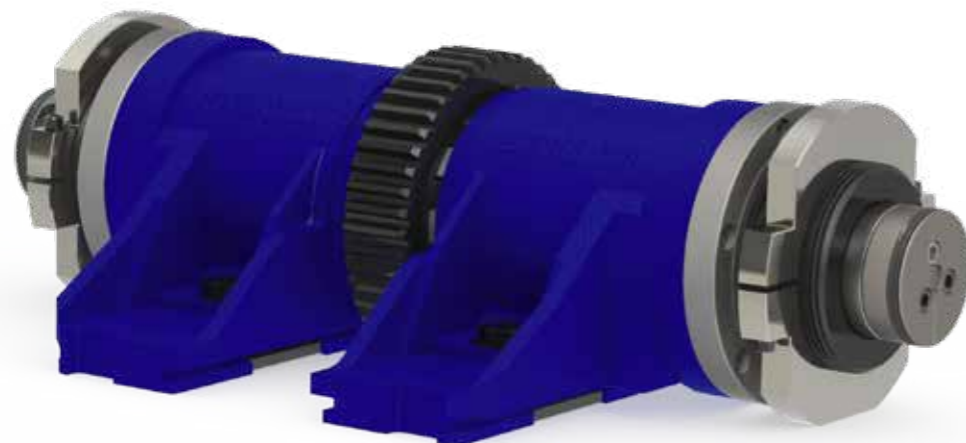
INNOVATION

Lattimer's industry knowledge and experience is used to develop products and improve IS machine performance.



Engineering that sets the standard

The company continually invests in the most modern manufacturing technology to develop new and innovative products that set new benchmarks within the glass container forming industry – keeping businesses running smoothly and enabling them to be one step ahead of the competition.



Lattimer's customer base continues to expand worldwide.

Delivering a service matched only by the quality of our products, we take pride in everything we do.

Regular investment helps us remain competitive in a market place with increasing competition.



Engineering solutions beyond expectation

In the Glass manufacturing industry, IS machine reliability and high performance are essential.

In collaboration with customers and using the latest CAD software, the Lattimer design team develop new and improved products, delivering enhanced machine performance and reliability as well as improving quality for extended product life and consistent performance.



PRECISION

Lattimer's attention to detail and focus on quality ensures customers receive product that not only looks the part but delivers the benefits as promised.

Exceptional Glass Engineering



RESULTS

Lattimer's customers across the globe put their trust in us to deliver consistent quality and excellent performance time after time.

Quality and reliable products for a demanding environment.

At Lattimer, our knowledge and experience in the glass container manufacturing industry helps keep us ahead of the competition.

We source premium materials to deliver both strength and durability, and we utilise specialised treatment processes to deliver dimensional stability as well as extended product life.

We strive at all times to provide best-in-class products and services, exceeding our customer expectations and delivering satisfaction every time.



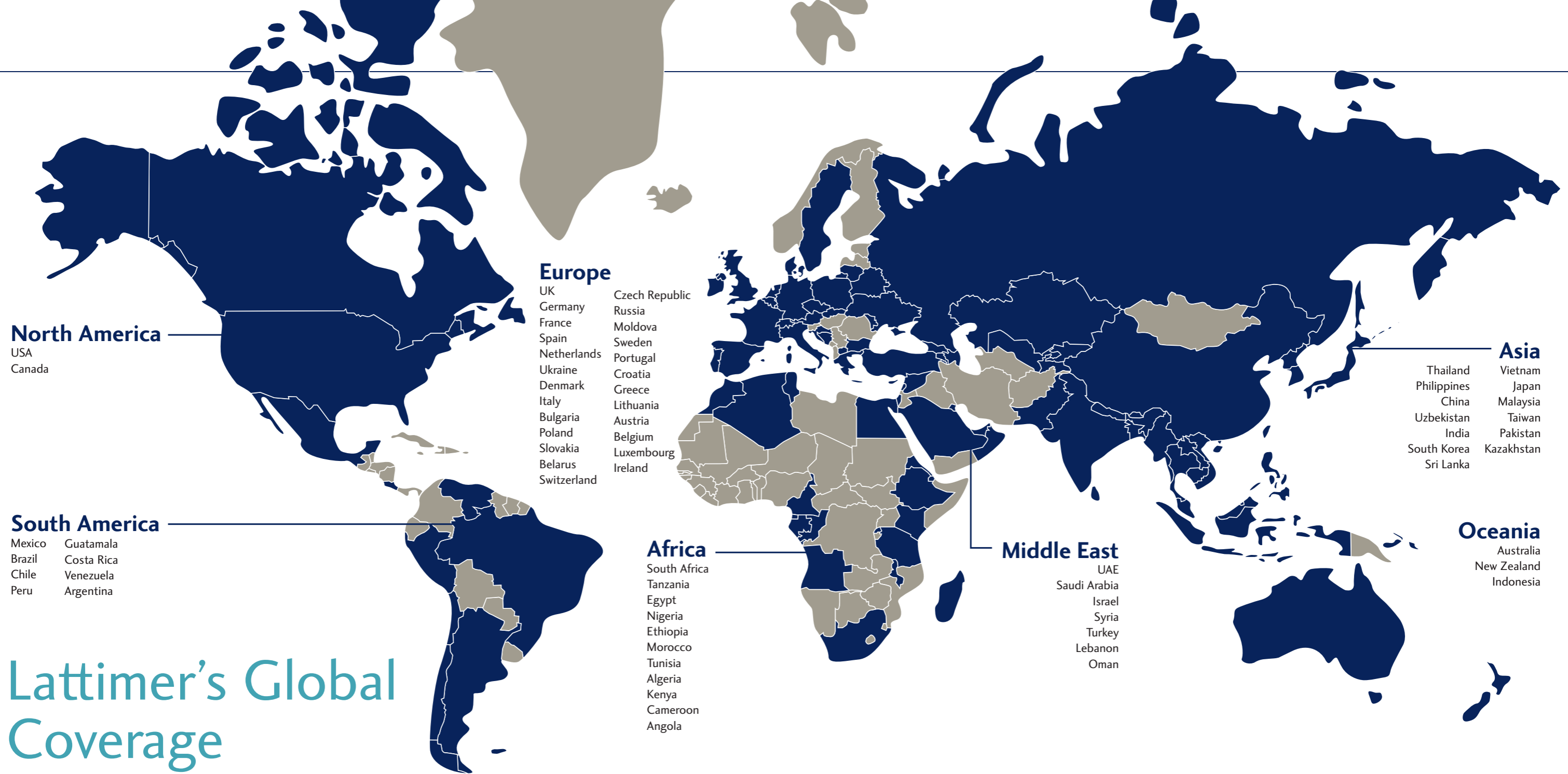
From our first contact with a client to the delivery of products where the exact specification has been agreed, we always aim for the highest standards of service.

Skills and Capabilities

Our extensive and practically unrivalled product range is the result of our experience in developing both industry standard and custom solutions for a large range of end users. A diverse and demanding customer base who ensure we keep pushing the boundaries of product development.

Lattimer supply all IS variable equipment in all product families. Many of our products have become industry standards, the benchmark against which others are measured. We are able to design, engineer and manufacture special parts, addressing specific issues, working with customers throughout the process to guarantee satisfaction.





Lattimer's Global Coverage

The numbers that count

- 60 plus** countries supplied
- Over 40,000** Parts manufactured
- £12.3 million** group turnover
- 29%** exports to European markets
- 120** Employees
- 16** Number of apprentices

- 40%** Number of staff trained through Lattimer apprenticeships
- Over 90%** Exports as percentage of total sales
- 50 years** operating at the forefront of design and manufacture of components and assemblies for the glass container industry

Product Breakdown & Manufacturing Techniques

Lattimer is able to supply all IS variable equipment requirements in all product families. Many of Lattimer's products have led the field in innovation and have subsequently become industry standards, specified and recommended by companies worldwide.

We are able to engineer, design and manufacture special parts addressing your specific issues, working with you throughout the process to ensure that you are happy with the result.

Our years of experience and thousands of parts supplied each year set us apart from our competition. From our Neck Ring Mechanisms, Mould Holders, Neck Ring Arms, Blowheads, Tong Heads and Take Out Arms to name only a few, to our extensive range of Spare Parts and our Checking Fixtures that ensure your machines are set up for trouble free production of high quality products.

Lattimer, synonymous with quality, consistency, innovation and reliability is a name you can rely on to supply all your IS variable equipment requirements.

Bespoke Solutions

Our customers understand how important it is to keep their IS machines running smoothly, maintaining container quality and avoiding unnecessary downtime. It is essential that Lattimer parts can be relied upon to operate without issue when installed on the machine.

Company Profile

Through our wealth of experience and close co-operation with customers, Lattimer understands the glass container forming industry.

We understand that no two customers are the same. That's why Lattimer can supply industry standard products and if required customer specials. In today's container manufacturing industry flexibility, reliability and efficiency are key to maintaining a competitive edge.

Many of Lattimer's exciting IS variable product range has been developed in co-operation with customers, identifying problems and working together to find the right solution.



01 All Lattimer existing and new parts are drawn, modelled and programmed using the latest CAD and CAM software.



02 As part of the development process the latest 3D printing technologies are used to discuss, fixture and visualise the product both internally and with customers.

The Challenge

Lattimer has been at the forefront of setting standards in glass engineering for over five decades. In that time, we have learned to understand the level of commitment required to remain the supplier of choice.

This challenge requires us to constantly improve our product offering, our quality and our operational efficiency. To continually develop and introduce new parts delivering increased performance for our customers. Our obsession with Continuous Improvement drives our business.

The Benefits

Our experienced in-house Engineering and Design Teams work constantly to deliver products that give our customers the edge.

Dedicated multilingual Account Managers ensure that requirements are fully understood and professionally handled from enquiry to delivery.



03 The parts that are drawn, developed and programmed in house are then machined using the latest CNC machines



04 Products are measured using the latest CMM technology; the parts are then assembled and tested on site before despatch.

The Solution

Lattimer's experience in the design, manufacture and supply of variable equipment is unrivalled, new and existing products are designed using Solidworks design software, we also use the latest 3D printing technology when a scale model of a part is required. Such a model enables us to view component part from any angle, discussing any issues before committing to the next stage of manufacture.

AutoDesk software converts the design model into a program which will be used by our CNC machines to manufacture the parts. All products benefit from decades of experience in design, material selection, heat treatment and manufacturing techniques, delivering a part you can rely on.

A history of innovative engineering

Lattimer is the world-leading IS Variable equipment supplier with facilities in Southport, UK and New Jersey, USA.

Lattimer has the capability to supply all IS Variable equipment requirements in all product families. Many of Lattimer's products have led the field in innovation and have subsequently become the industry standard, specified and recommend by companies worldwide.

Our team of engineers, designs and manufactures special products addressing the customer's specific issues.

Our years of experience and extensive parts supply sets us apart from the competition.

Lattimer Online

All the information at your finger tips.

You can access Lattimer's full range of products and services via our comprehensive website.

Access our wealth of experience and understanding of the glass container manufacturing industry and catch up with all the marketplace developments through our interactive news facility.

You can download our latest product brochures and technical bulletins, all at the click of a button.

www.lattimer.com



1941
Lattimer was founded.



1977
Grows to be a world leader in the supply of IS Variable Equipment.



1999
Acquires West Yorkshire Engineering.



2021
Lattimer celebrates 80 years in the Manufacturing Industry.



1970's
Lattimer assists a local glass container company with their production process.



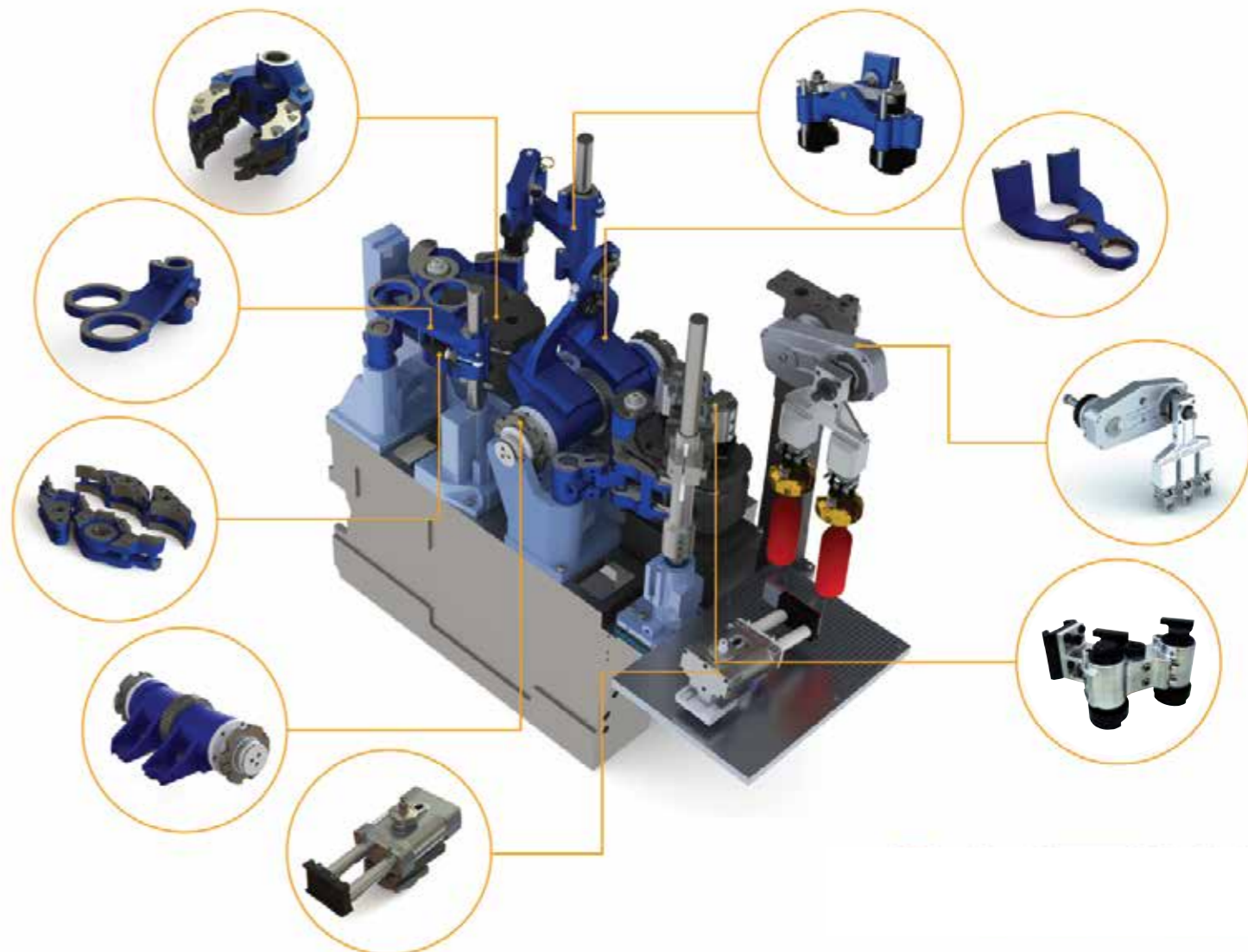
1985
Acquires IS Parts International.



2018
Lattimer receives The Queen's Award for International Trade.

Finding the right product for you

For more specific product detail or for information regarding bespoke products, please contact the Lattimer customer support team who will be happy to help with your enquiry.





Lattimer
79-83 Shakespeare Street
Southport, Merseyside
England PR8 5AP

Tel: +44 (0) 1704 535040
Fax: +44 (0) 1704 541046
Email: sales@lattimer.com
Web: www.lattimer.com

Lattimer
3603 North Mill Road
Vineland
New Jersey 08360, USA

Tel: +1 (856) 691 2203
Fax: +1 (856) 691 5509
Email: salesamericas@lattimer.com
Web: www.lattimer.com

